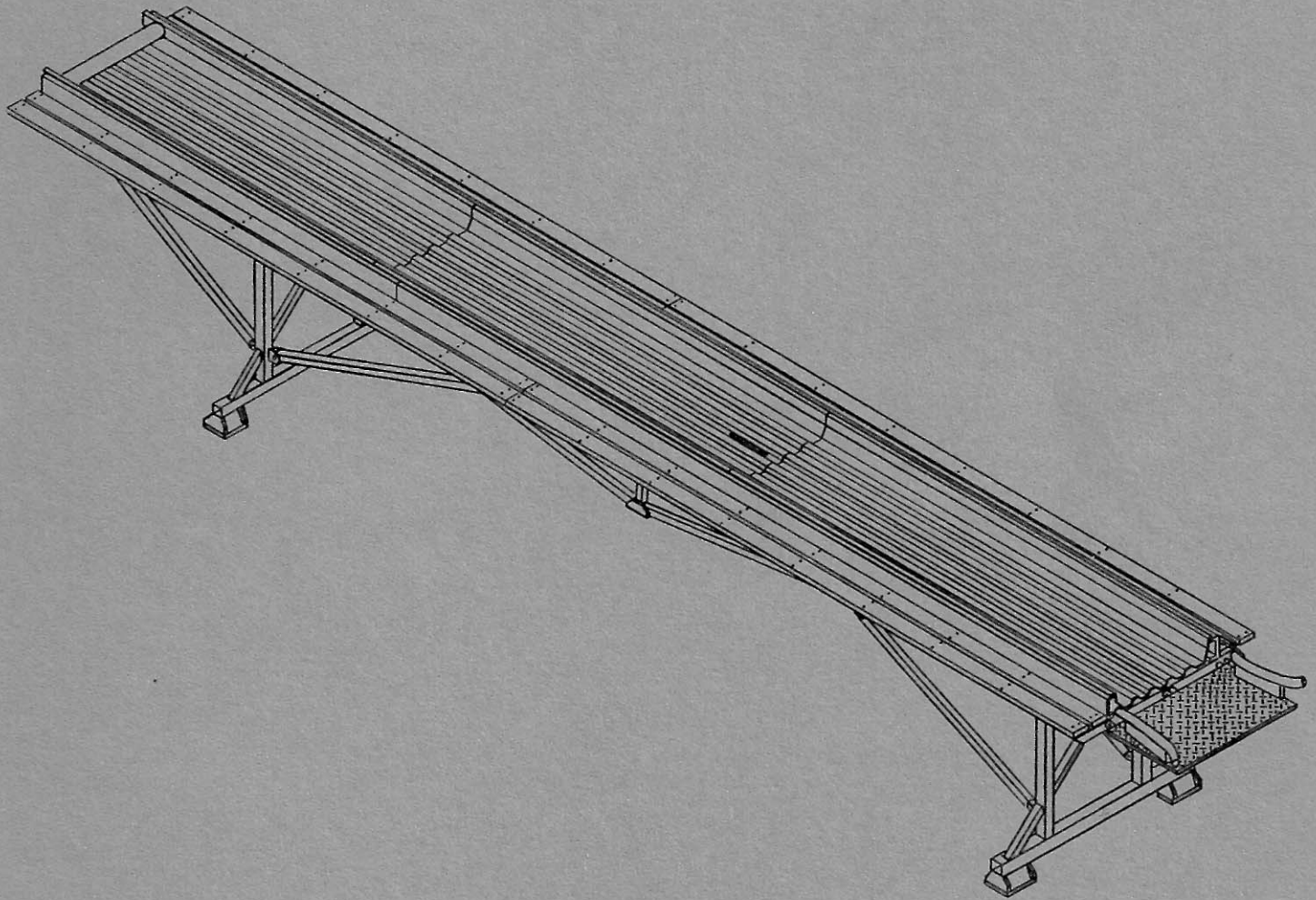


# HOBBS

## MODEL-252 CONVEYOR RUNWAY



# PARTS CATALOG

HOBBS ENGINEERING CO.

SUFFOLK, VA., U. S. A.



# MODEL-252 CONVEYOR RUNWAY

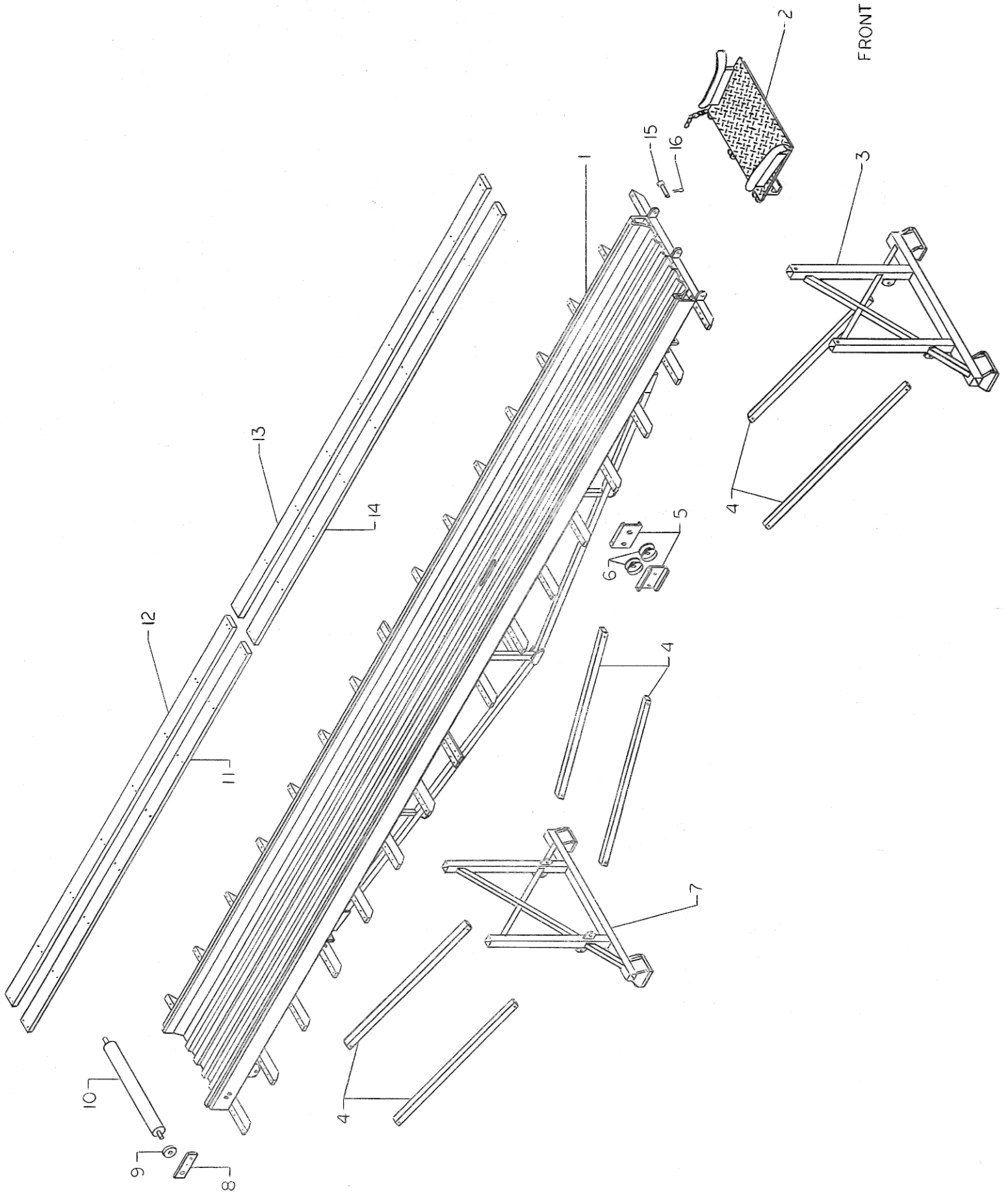
## Parts Catalog

### Contents

|                    | Page |
|--------------------|------|
| Frame Section..... | 3    |

#### NOTE

The words "Left" and "Right" used in the description of parts should be taken as seen facing the direction of travel of material through the machine.



CONVEYOR RUNWAY ASSEMBLY

| No. | Part No. | Description                                 | No. Req'd |
|-----|----------|---|-----------|
| 1   | 9312     | Runway Assembly                             | 1         |
| 2   | 9313     | Adjustable Ramp                             | 1         |
| 3   | 9314     | Front Leg Assembly                          | 1         |
| 4   | 9315     | Diagonal Braces                             | 6         |
| 5   | 9316     | Idler Mounts                                | 2         |
| 6   | 5317     | 3" Idler                                    | 2         |
| 7   | 9317     | Rear Leg Assembly                           | 1         |
| 8   | 9318     | Roller Mtg. Flat                            | 2         |
| 9   | 3012     | Rubber Bushing                              | 2         |
| 10  | 5359     | Stop Roller                                 | 1         |
| 11  | 13008    | Inner Board Walk, Short (14 1/2" x 2 x 6)   | 2         |
| 12  | 13009    | Outer Board Walk, Short (14 1/2" x 2 x 6)   | 2         |
| 13  | 13010    | Outer Board Walk, Long (15 11 1/2" x 2 x 6) | 2         |
| 14  | 13011    | Inner Board Walk, Long (15 11 1/2" x 2 x 6) | 2         |
| 15  | 2042     | Pin   | 3         |
| 16  | --       | Cotter Key 3/32" x 3/4"                     | 3         |