

HOBBS

MODEL 226

CONVEYOR & ACCESSORIES

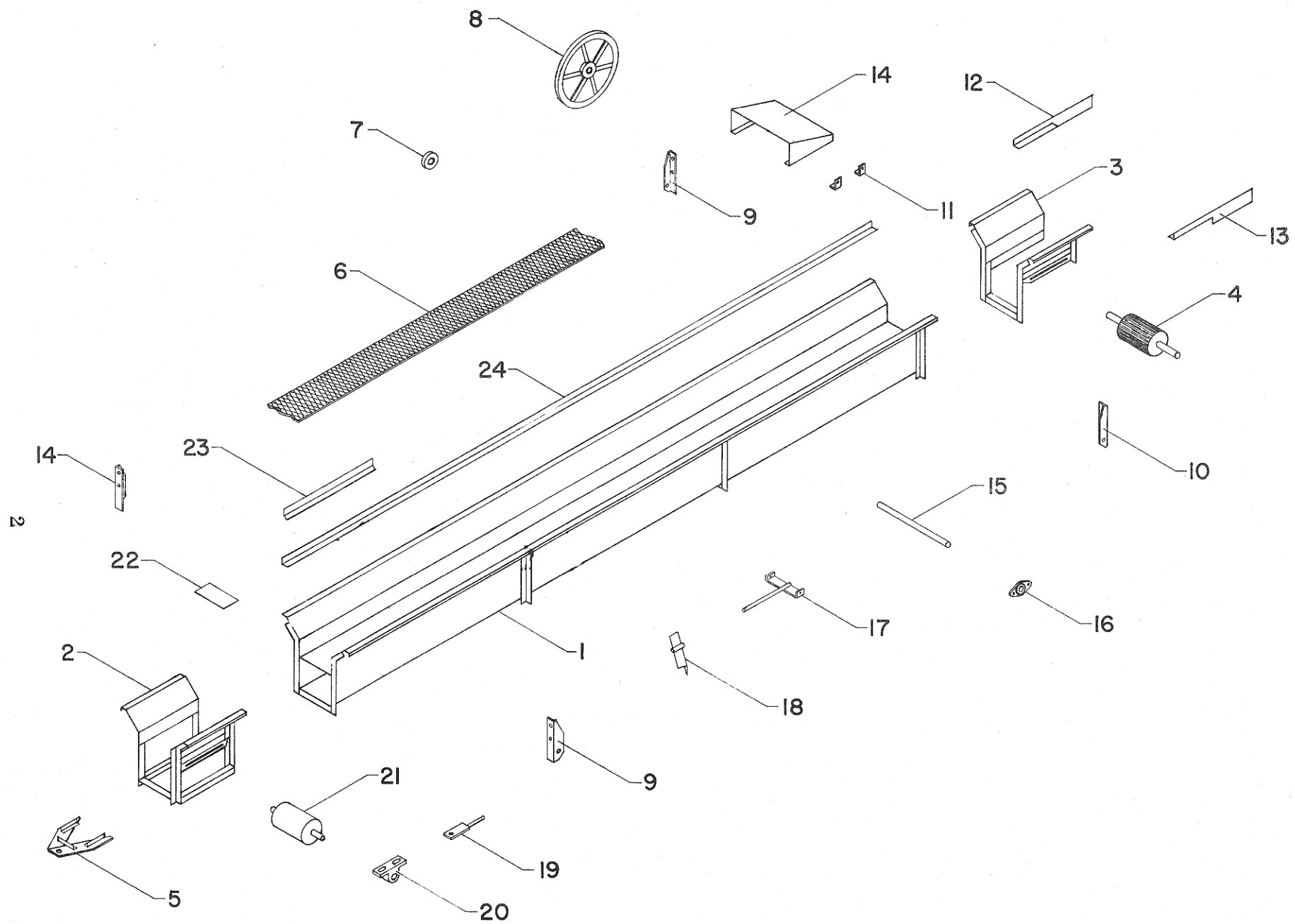
PARTS CATALOG

CONTENTS

	Page
Trough Section	3
Dolly & Hopper Sections.....	5

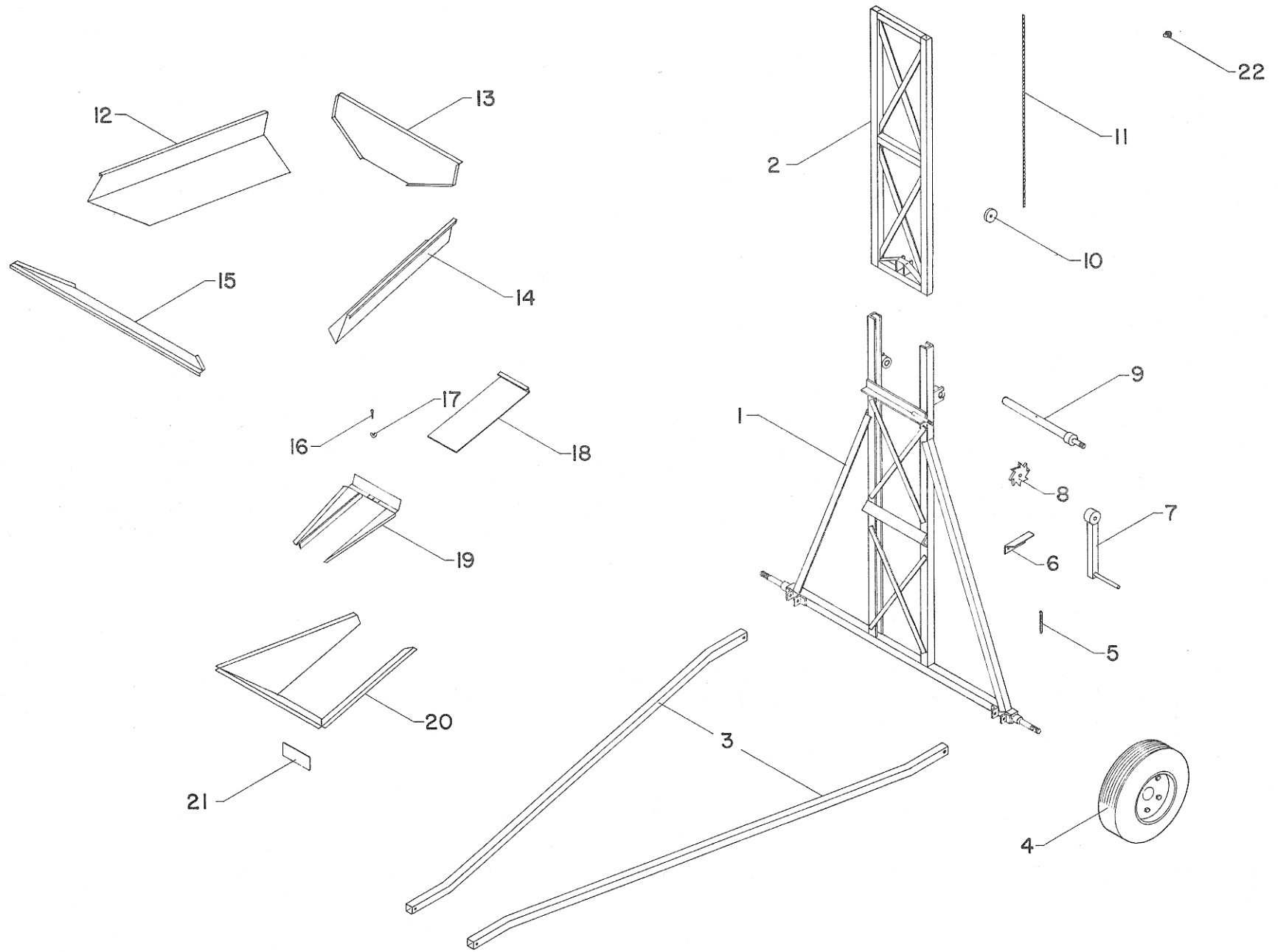
NOTE

The words "Right" and "Left" should be taken as viewed facing the direction of travel of the material on the conveyor. The front of the conveyor is the lower end.



TROUGH SECTION

No.	Part No.	Description
1	12140	Trough Section, 10 Ft.
—	12141	Trough Section, 4 Ft.
2	12139	Lower Trough End
3	12138	Upper Trough End
4	5320	Drive Roller
5	9058	Tow Hitch
6	4029	Belt
7	5033	Sheave, 1AX2.0, $\frac{7}{8}$ " Bore
8	5034	Sheave, 1FA12.3
—	5019	Sheave, 1AX4.0, $\frac{7}{8}$ " Bore
—	5024	Sheave, 1FA10.3
—	5025	FT Hub
—	5035	Sheave, 1FB7.8
—	5036	Sheave, 1FB4.0
9	9056	Dolly Mtg. Angle, Lower R.—Upper L.
10	9057	Dolly Mtg. Angle, Lower L.—Upper R.
11	12142B	Motor Mount Clamp
12	12155	L. Slide End
13	12154	R. Slide End
14	12142	Motor Mount
15	10027	Idler Shaft
16	3015	1" 2-Hole Flange Bearing
17	12158	Guide Rod
18	12157	Trash Deflector
19	6109	Bearing Adjusting Screw
20	3008	1" Pillow Block Bearing
21	5321	Idler Roller
22	12156	Bottom Extension
23	12151	Belt Edge Guard
24	12152	10 Ft. Belt Slide
—	12153	4 Ft. Belt Slide
—	4008	B81 V-Belt
—	4031	A105 V-Belt



DOLLY & HOPPER SECTIONS

No.	Part No.	Description
1	9060	Dolly Frame
2	9061	Lift Frame
3	9059	Dolly Brace
4	8001	Wheel, Tire, Etc., Assembly
—	8002	Tire
—	8003	Tube
—	8004	Wheel
—	8005	Hub & Cup Assembly
—	8006	Bearing Cup
—	8007	Cone & Roller Assembly
—	8008	Hub Cap
—	8009	Seal
—	8010	Lug Bolt
5	7007	Spring
6	6039	Dog
7	9062	Crank
8	5104	Ratchet Gear
9	10026	Winch Shaft
10	5322	Lift Roller
11	6037	Cable
12	12150	Hopper Ext., L. Side Sect.
13	12147	Hopper Ext., Rear Sect.
14	12149	Hopper Ext., L. Side Sect.
15	12148	Hopper, Ext., Front Sect.
16	1005	Door Lock Screw
17	1006	Wing Nut
18	12145	Door
19	12146	Valve Assembly
20	12144	Lower Hopper Section
21	4030	Drag Flap
22	6038	Cable Clamp
—	6040	Flap Retainer Strip

NUMERICAL PARTS INDEX

Part No.	Page	Part No.	Page	Part No.	Page	Part No.	Page
1005	5	5321	3	8009	5	12142B	3
1006	5	5322	5	8010	5	12144	5
3008	3	6037	5	9056	3	12145	5
3015	3	6038	5	9057	3	12146	5
4008	3	6039	5	9058	3	12147	5
4031	3	6040	5	9059	5	12148	5
4029	3	6109	3	9060	5	12149	5
4030	5	7007	5	9061	5	12150	5
5019	3	8001	5	9062	5	12151	3
5024	3	8002	5	10026	5	12152	3
5025	3	8003	5	10027	3	12153	3
5033	3	8004	5	12138	3	12154	3
5034	3	8005	5	12139	3	12155	3
5035	3	8006	5	12140	3	12156	3
5036	3	8007	5	12141	3	12157	3
5104	5	8008	5	12142	3	12158	3
5320	3						