

# TABLE OF CONTENTS

1st EDITION

SEPTEMBER 1, 1987

## 270 PALLET STACKING TURNTABLE

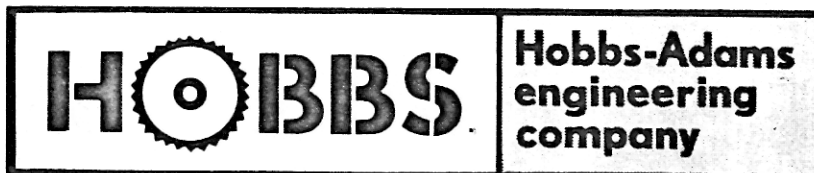
SECTION	PAGE
1 PALLET STACKING TURNTABLE -----	3

---

Owners Name \_\_\_\_\_

Address \_\_\_\_\_

Model No. \_\_\_\_\_ \* Serial No. \_\_\_\_\_ \* Date Purchased \_\_\_\_\_

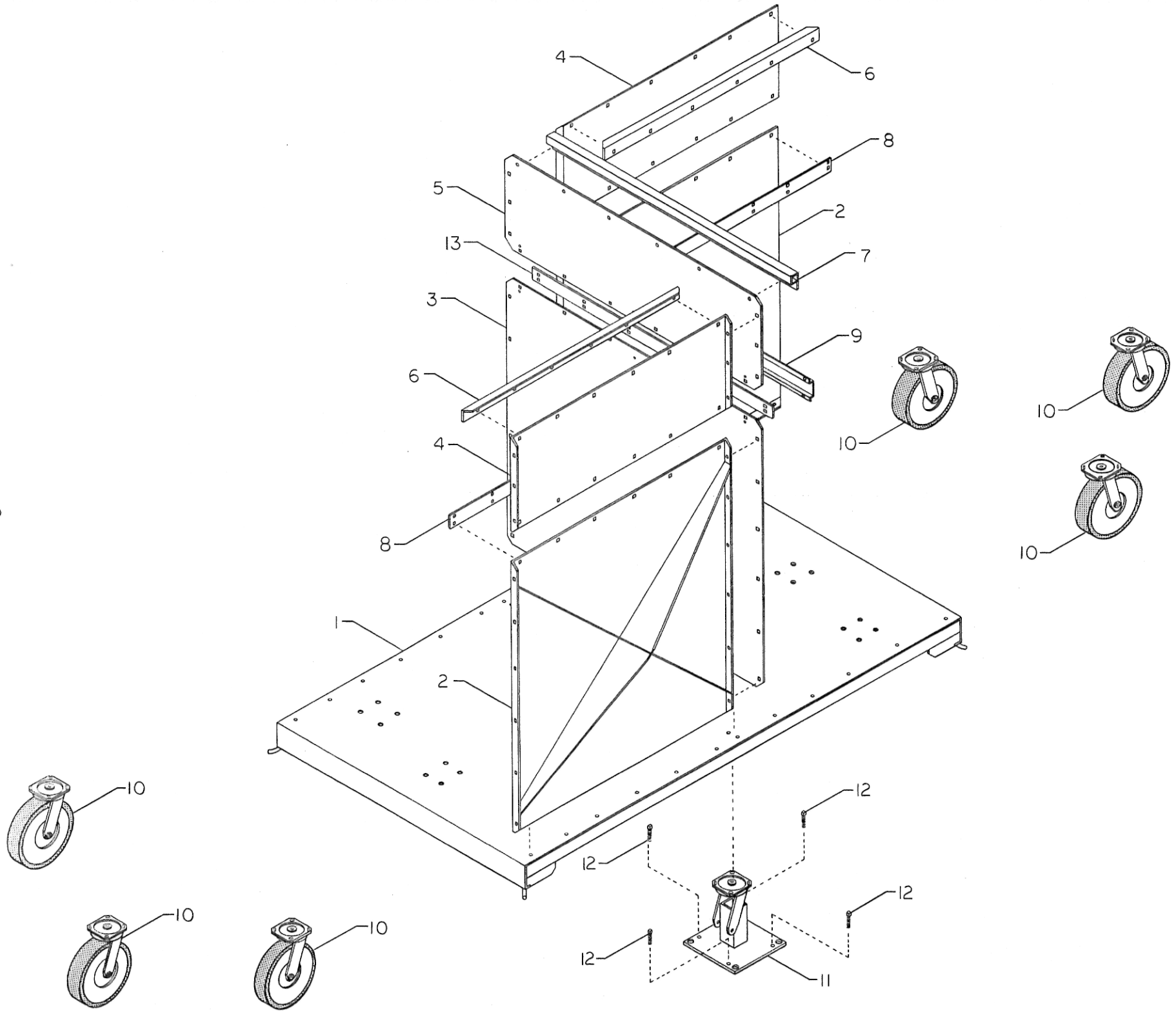


1100 Holland Road Suffolk, Va. 23434 U.S.A. • 804-539-0231

Home Office: TELX 494-6083 Cable HOADEN SUFK  
Branch Office

1701 S. Slappey Blvd. Albany, Ga. 31706 • 912-439-2217

2



1. PALLET STACKING TURNTABLE

NO.	PART NO.	KEYWORD	DESCRIPTION	NO. REQ'D
1	121199	BOTTOM	TURNTABLE .....	1
2	121198	SIDE	VERTICAL END .....	2
3	121197	PLATE	VERTICAL CENTER .....	1
4	121200	PLATE	TOP EXTENSION .....	2
5	121201	PLATE	TOP EXTENSION; CENTER .....	1
6	9940	ANGLE	TOP MOUNTING .....	2
7	9939	BRACE	TOP CENTER .....	1
8	60067	MOUNT	EXTENSION .....	2
9	121202	PLATE	CENTER MOUNTING .....	1
10	8041	CASTER	8" SWIVEL ASSEMBLY .....	6
11	9941	MOUNT	STATIONARY .....	1
12	G110452	SETSCREW	1/2-13X1-1/2 SQ HEAD .....	4
13	60164	MOUNT	EXTENSION .....	1