

290-36X40
TROUGH CONVEYOR

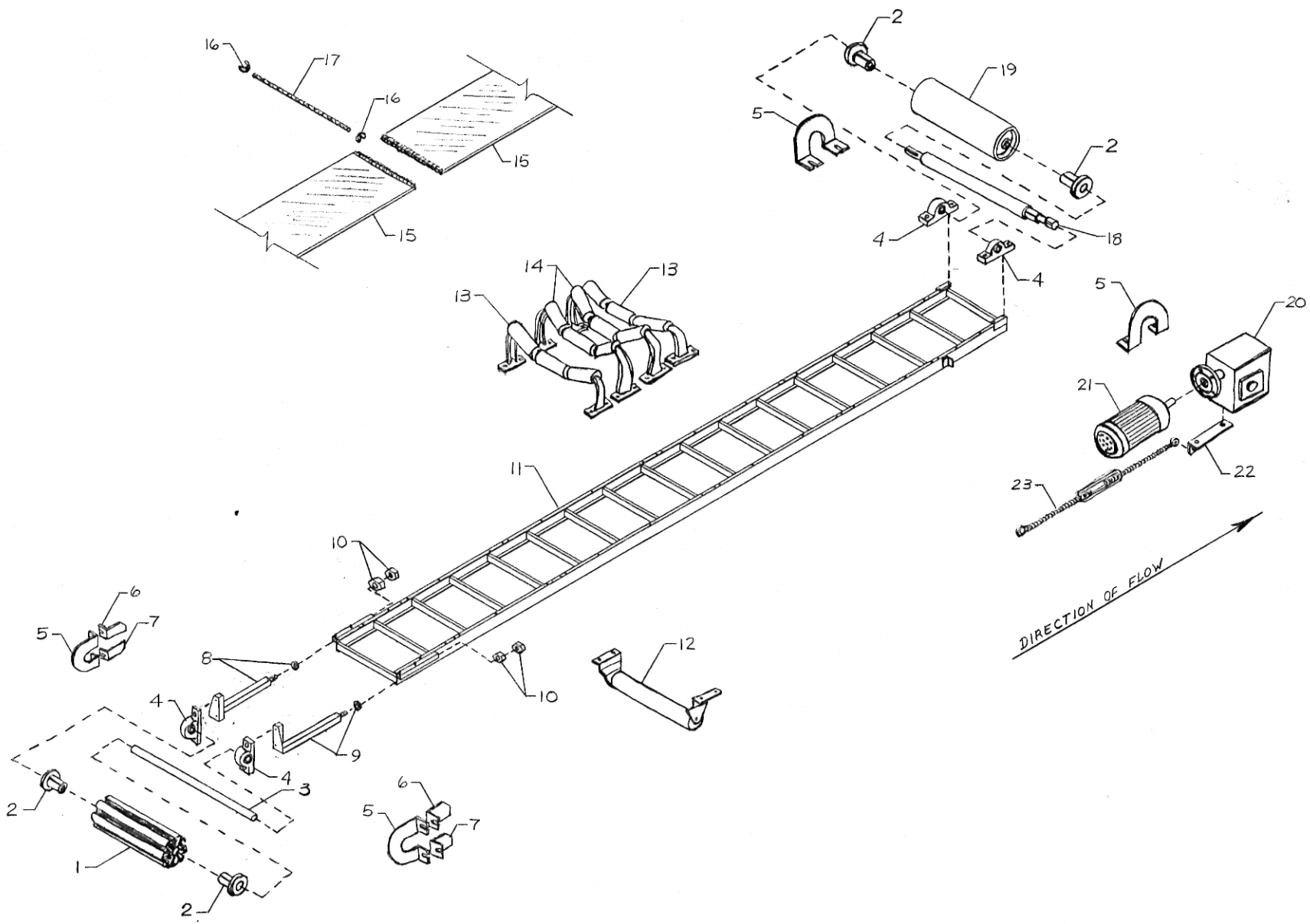
CAT079

OWNER'S NAME _____

DEALER'S NAME _____

SERIAL NUMBER _____

DATE PURCHASED _____



1. 290-36X40 TROUGH CONVEYOR

| NO. | PART NO. | KEYWORD | DESCRIPTION | NO. REQ'D |
|-----|----------|-----------|-------------------------------------|-----------|
| 1 | 5937 | PULLEY | 12" DIA. X 38" WING | 1 |
| 2 | 2849 | BUSHING | XTB25 X 2-3/16 | 4 |
| 3 | 10389 | SHAFT | 36" CONVEYOR IDLER | 1 |
| 4 | 3111 | BEARING | 2-3/16 FILLOW BLOCK | 4 |
| 5 | 121965 | SHIELD | CONVEYOR DRUM; UPPER | 4 |
| 6 | 121966 | SHIELD | CONVEYOR DRUM; RIGHT | 2 |
| 7 | 121967 | SHIELD | CONVEYOR DRUM; LEFT | 2 |
| 8 | S60771 | ASSEMBLY | CONVEYOR IDLER TENSIONER; LEFT | 1 |
| --- | 60771 | TENSIONER | CONVEYOR IDLER; LEFT | 1 |
| --- | G131019 | WASHER | 1" FLAT | 1 |
| --- | 2844 | PIN | ROLL 3/8X2-1/2 | 2 |
| --- | 2845 | PIN | ROLL 3/16X3/4 | 2 |
| --- | 60496 | NUT | ADJUSTING | 1 |
| --- | 60497 | ROD | ADJUSTING | 1 |
| 9 | S60772 | ASSEMBLY | CONVEYOR IDLER TENSIONER; RIGHT | 1 |
| --- | 60772 | TENSIONER | CONVEYOR IDLER; RIGHT | 1 |
| --- | G131019 | WASHER | 1" FLAT | 1 |
| --- | 2844 | PIN | ROLL 3/8X2-1/2 | 2 |
| --- | 2845 | PIN | ROLL 3/16X3/4 | 2 |
| --- | 60496 | NUT | ADJUSTING | 1 |
| --- | 60497 | ROD | ADJUSTING | 1 |
| 10 | G220088 | NUT | 1-8 USS | 4 |
| 11 | 91541 | FRAME | CONVEYOR, 40' | 1 |
| 12 | 5940 | IDLER | 36" STEEL FLAT RETURN WITH 3/4 DROF | 5 |
| 13 | 5939 | IDLER | 20 DEGREE X 36"; B SERIES TROUGH | 2 |
| 14 | 5939 | IDLER | 35 DEGREE X 36"; B SERIES TROUGH | 11 |
| 15 | S4569 | ASSEMBLY | 36" TROUGH BELT WITH LACING | 1 |
| --- | 4569 | BELT | 36" X 83.5' | 1 |
| --- | 4495 | RIVET | FLEXCO R5 LACING #8RA | 200 |
| --- | 4563 | LACING | R5-36 IN | 1 |
| 16 | 4496 | RETAINER | FLEXCO R5 LACING PIN | 2 |
| 17 | 4565 | PIN | LACING, FLEXCO R5-36 | 1 |
| 18 | 10390 | SHAFT | CONVEYOR DRIVE | 1 |
| 19 | 5936 | PULLEY | 12"DIA. X 38" DRUM | 1 |
| 20 | 15165 | MOTOR | 5H/3P/460/1800/184TC/TEFC | 1 |
| 21 | 11214 | GEARBOX | 10:1 FLANGED WORM GEAR SHAFT MOUNT | 1 |
| 22 | 91542 | MOUNT | REACTION ROD/GEARBOX | 1 |
| 23 | 11215 | URNSUCKLE | REACTION ROD KIT | 1 |

NUMERICAL PARTS INDEX

| PART NO. | PAGE | PART NO. | PAGE | PART NO. | PAGE |
|----------|------|----------|------|----------|------|
| G131019 | 3 | | | | |
| G220088 | 3 | | | | |
| S4569 | 3 | | | | |
| S60771 | 3 | | | | |
| S60772 | 3 | | | | |
| 10389 | 3 | | | | |
| 10390 | 3 | | | | |
| 11214 | 3 | | | | |
| 11215 | 3 | | | | |
| 121965 | 3 | | | | |
| 121966 | 3 | | | | |
| 121967 | 3 | | | | |
| 15165 | 3 | | | | |
| 2844 | 3 | | | | |
| 2845 | 3 | | | | |
| 2849 | 3 | | | | |
| 3111 | 3 | | | | |
| 4495 | 3 | | | | |
| 4496 | 3 | | | | |
| 4563 | 3 | | | | |
| 4565 | 3 | | | | |
| 4569 | 3 | | | | |
| 5936 | 3 | | | | |
| 5937 | 3 | | | | |
| 5939 | 3 | | | | |
| 5940 | 3 | | | | |
| 60496 | 3 | | | | |
| 60497 | 3 | | | | |
| 60771 | 3 | | | | |
| 60772 | 3 | | | | |
| 91541 | 3 | | | | |
| 91542 | 3 | | | | |