

859D
DUAL CHAIN
BLENDING HOPPER

2nd Edition

CAT112

Beginning Serial #31163

Owner's Name _____

Dealer's Name _____

Serial Number _____ Model No. _____

Date Purchased _____

TABLE OF CONTENTS

CAT112
2nd Edition
November 15, 1993

859D DUAL CHAIN BLENDING HOPPER

SECTION	PAGE
1 Main Frame, Panels, & Shields.....	3
2 Boards Assembly.....	5
3 Drive Assemblies.....	7
4 Inverter Drive Section - Optional.....	9
5 Polyethylene Slide Kit - Optional.....	11
6 Feed Gate Assembly - Optional.....	13
7 Decals.....	15
8 Inverter Drive Electrical Diagram.....	16
Numerical Parts Index.....	17
Warranty	

NOTE

The terms "Left" and "Right" used in the description of parts are determined by facing the direction of the flow of material through the machine.

Owners Name _____

Address _____

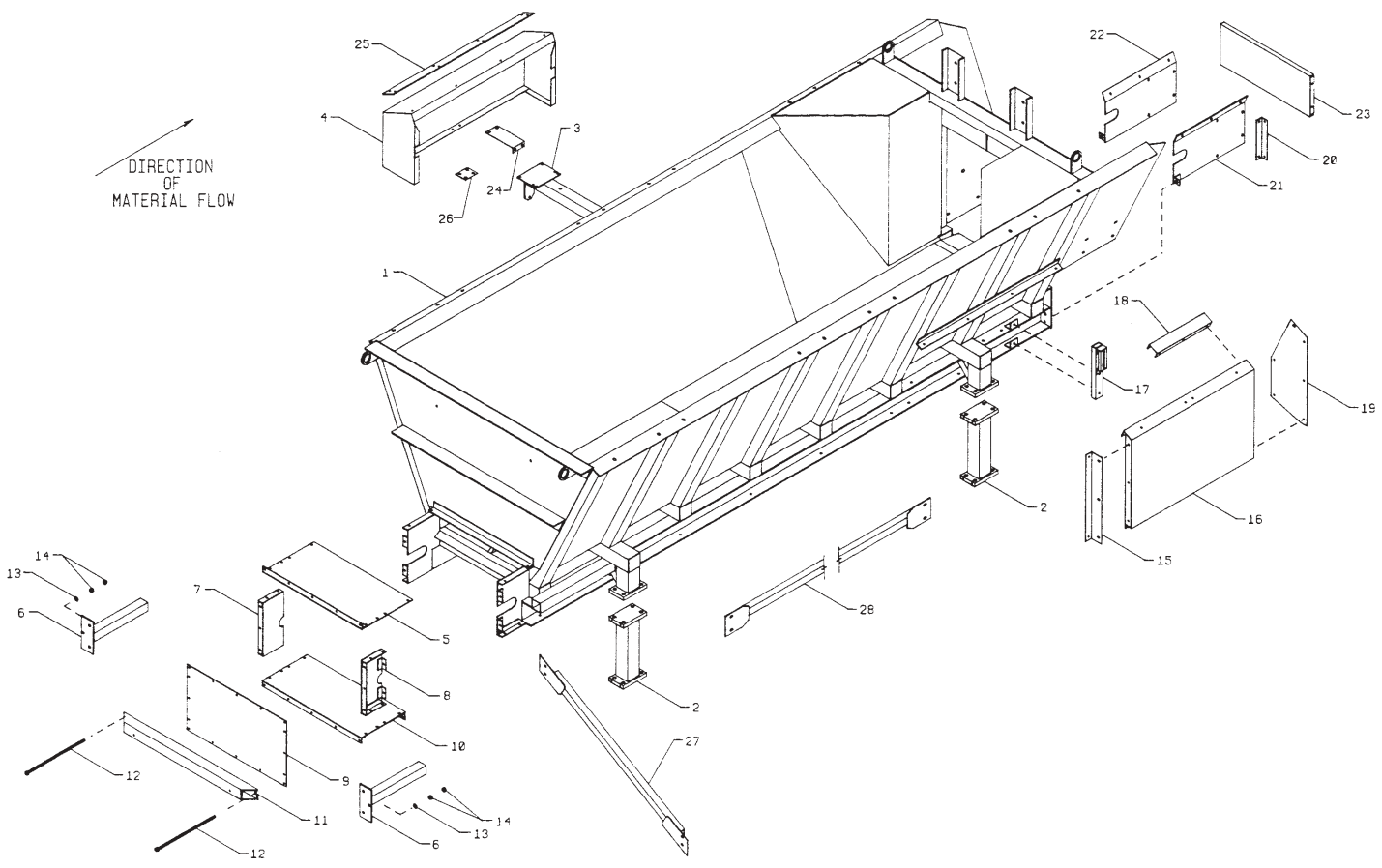
Model No. _____ Serial No. _____ Date Purchased _____

1100 Holland Road Suffolk, VA 23434 U.S.A. (804) 539-0231
Telex - 494-6083 / Fax - (804) 934-3264

1701 S. Slappey Blvd./P.O. Box 3687 Albany, GA 31706
(912) 439-2217 / Fax (912) 439-9343

A M A D A S
INDUSTRIES

DIRECTION OF MATERIAL FLOW

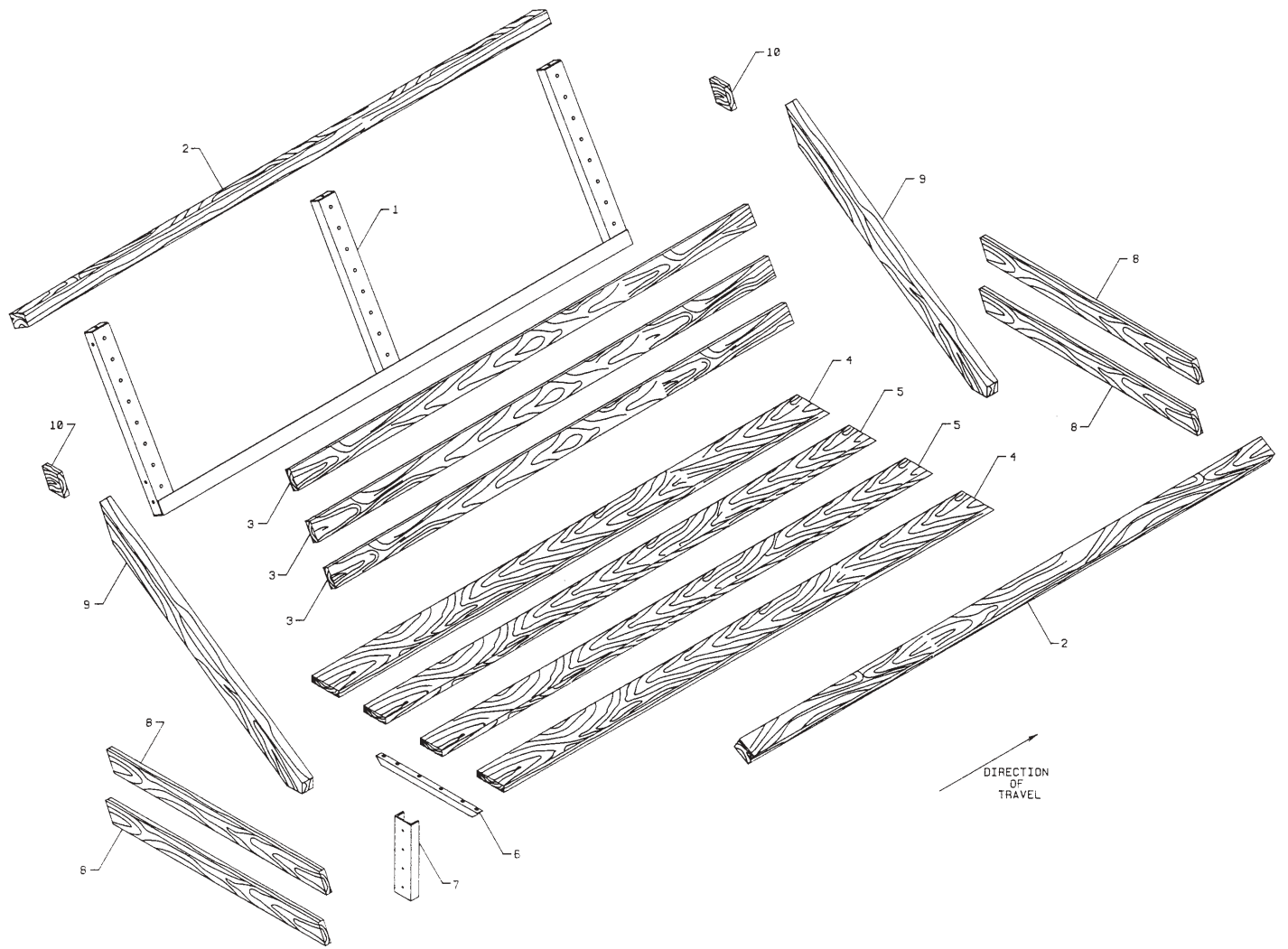


PAGE 2

859

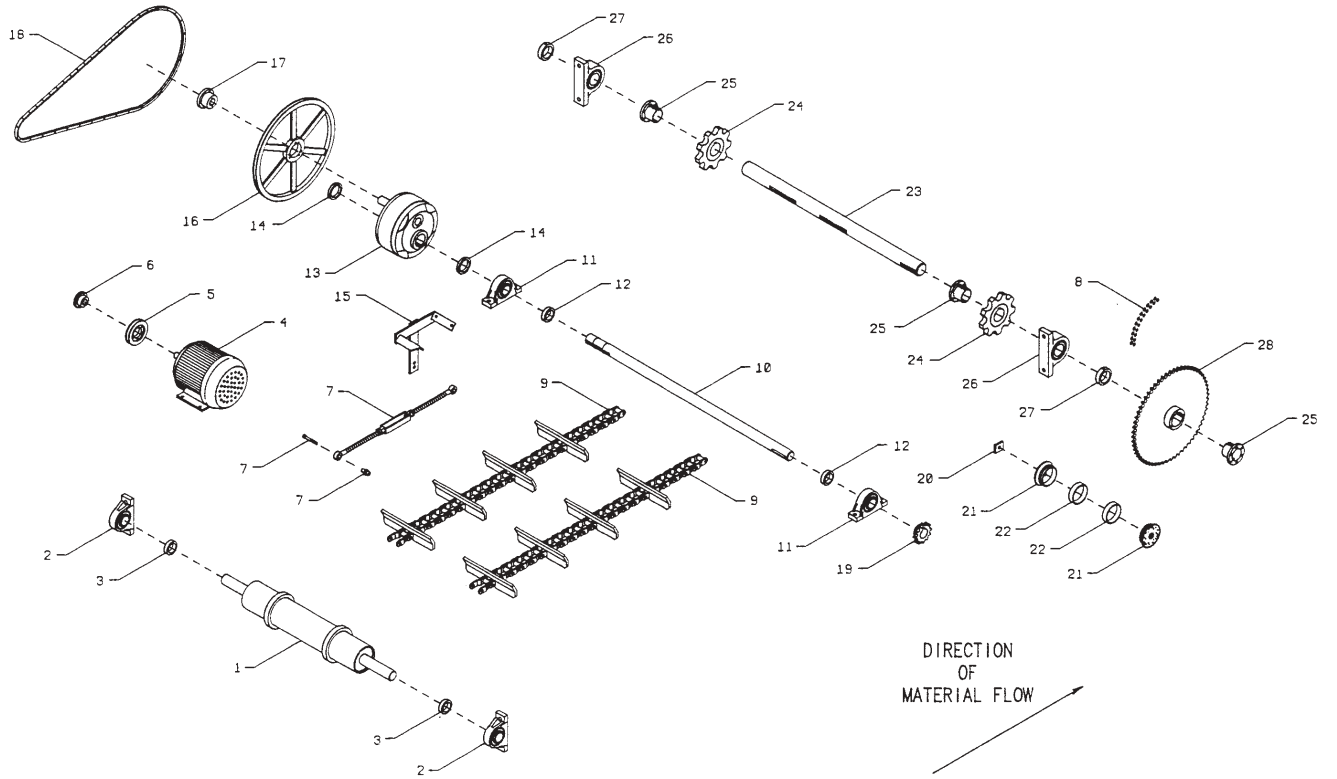
1. MAIN FRAME, PANELS, & SHIELDS

NO.	PART NO.	KEYWORD	DESCRIPTION	NO. REQ'D
1	92166	FRAME	859D X 14 BULKFEEDER	1
2	91384	EXTENSION	LEG; 1-1/2'	OPT
--	91385	EXTENSION	LEG; 2'	OPT
--	91386	EXTENSION	LEG; 2-1/2'	OPT
--	91734	EXTENSION	LEG; 3-1/2'	OPT
3	90364	MOUNT	MOTOR	OPT
4	123111	SHIELD	MOTOR & GEARBOX	OPT
5	90357	PANEL	IDLER TOP	1
6	60608	ADJUSTER	IDLER (ROTOR TYPE)	2
7	90361	PANEL	IDLER SIDE; LEFT REAR	1
8	90362	PANEL	IDLER SIDE; RIGHT REAR	1
9	121727	PANEL	IDLER END	1
10	90358	PANEL	IDLER BOTTOM	1
11	90339	BRACKET	IDLER ADJUSTING	1
12	60430	ROD	IDLER ADJUSTING	2
13	G131016	WASHER	5/8 FLAT	A/R
14	G124589	NUT	5/8-11 USS	A/R
15	121725	SHIELD	CHAIN DRIVE; REAR	1
16	121733	SHIELD	CHAIN DRIVE	1
17	90365	BRACKET	CHAIN IDLER	1
18	122333	SHIELD	CHAIN DRIVE ATTACHING	1
19	122334	SHIELD	CHAIN DRIVE FRONT	1
20	90999	MOUNT	SHIELD	1
21	90998	PANEL	DISCHARGE; RIGHT	1
22	90997	PANEL	DISCHARGE; LEFT	1
23	90366	PANEL	DISCHARGE; FRONT	1
24	123116	BRACE	SHIELD	OPT
25	122320	PLATE	SHIELD EXTENSION; UPPER	OPT
26	123465	SPACER	SHIELD EXTENSION; LOWER	OPT
27	91835	BRACE	3-1/2' LEG EXTENSION; SHORT	OPT
28	91834	BRACE	3-1/2' LEG EXTENSION.....859DX14	OPT
--	92160	BRACE	3-1/2' LEG EXTENSION.....859DX10	OPT



2. BOARDS ASSEMBLY

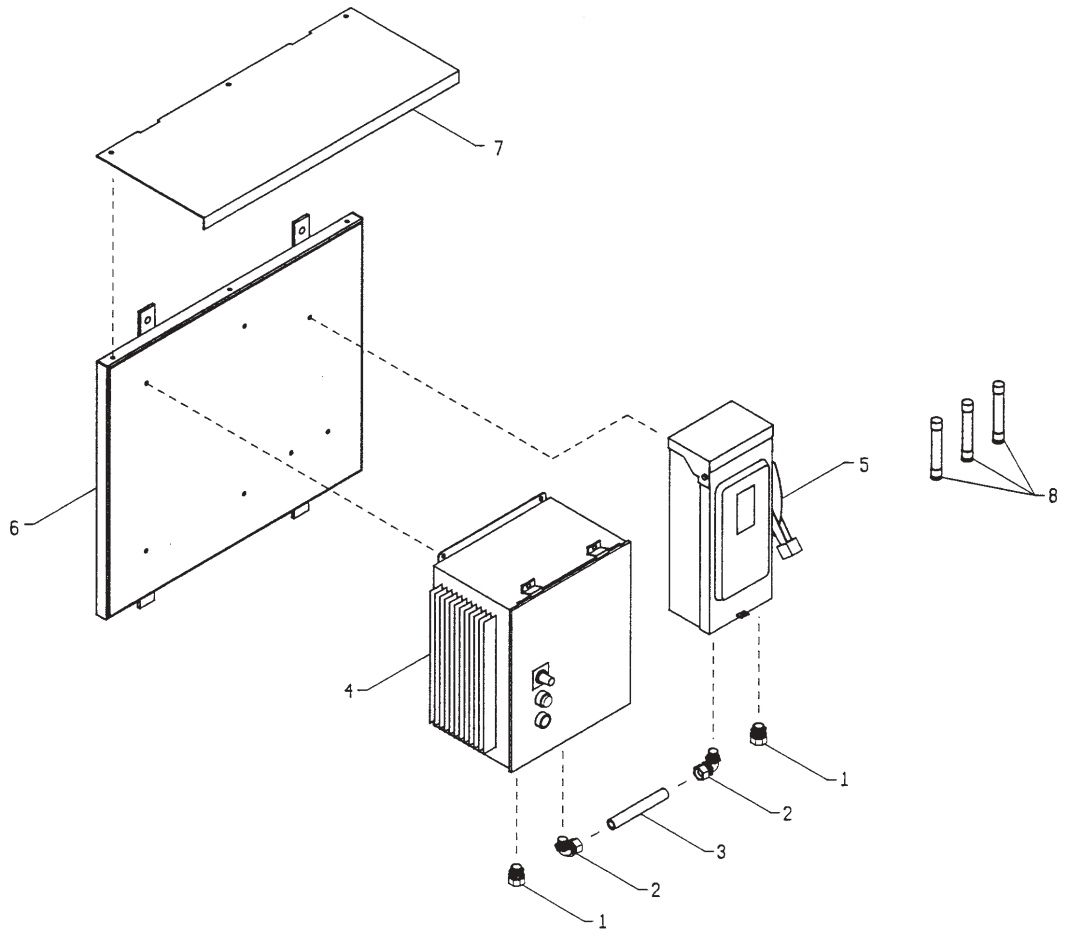
NO.	PART NO.	KEYWORD	DESCRIPTION	NO. REQ'D
1	90511	FRAME	BATTERBOARD (8 BOARD)	1
2	13370	BOARD	BUMPER	2
3	13350	LUMBER	2X6X14FT ROUGH CUT TREATED PINE	8
4	13353	BOARD	10"X15FT BOTTOM SUPPORT	2
5	13352	BOARD	8"X15FT BOTTOM SUPPORT	2
6	90343	ANGLE	BOARD MOUNT	8
7	90341	MOUNT	END BOARD	1
8	13354	BOARD	END	4
9	13372	BRACE	BATTERBOARD TRUSS	2
10	13426	SPACER	BATTERBOARD END	2



459

3. DRIVE ASSEMBLIES

NO.	PART NO.	KEYWORD	DESCRIPTION	NO. REQ'D
1	10351	IDLER	INFEED FLIGHT CHAIN	1
2	3119	BEARING	1-15/16 PILLOW BLOCK W/COLLAR	2
--	3089	INSERT	1-15/16 BEARING W/SETSCREW	A/R
3	3090	COLLAR	1-15/16 ECCENTRIC LOCKING	A/R
4	15162	MOTOR	3H/3P/460/1800/182T/TEFC	OPT
--	15164	MOTOR	5H/3P/460/1800/184T/TEFC	OPT
5	51072	SHEAVE	1B46SDS (USES QD-SDS BUSHING)	OPT
--	5057	SHEAVE	1B6.0PDQDS (USES QD-SDS BUSHING)	OPT
--	5416	SHEAVE	VARIABLE SPEED;1-1/8 BORE	OPT
6	5075	BUSHING	QD-SDS 1-1/8	OPT
7	11142	TURNBUCKLE	5/8 DIA. EYE TO EYE (KIT)	OPT
8	4365-82	CHAIN	NO.80, 81 PITCHES+CONNECTOR	1
--	4365	CHAIN	NO.80 ROLLER;12 LINKS/FT	A/R
--	4365B	LINK	NO.80 CONNECTING	A/R
9	4533	CHAIN	FLIGHT	6
10	10263	SHAFT	GEARBOX DRIVE;1-15/16(USE W/#11134 GRBX) OPT	
--	10471	SHAFT	GEARBOX DRIVE;2-3/16 (USE W/#11141 GRBX) OPT	
11	3119	BEARING	1-15/16 PILLOW BLOCK W/COLLAR	OPT
--	3089	INSERT	1-15/16 BEARING W/SETSCREW	A/R
--	3111	BEARING	2-3/16 PILLOW BLOCK W/COLLAR	OPT
--	3086	INSERT	2-3/16 BEARING W/SETSCREWS	A/R
12	3090	COLLAR	1-15/16 ECCENTRIC LOCKING	A/R
--	3087	COLLAR	2-3/16 ECCENTRIC LOCKING	A/R
13	11134	GEARBOX	24:1,4HP,SHAFT MT 1-15/16..(W/3HP MOTOR) OPT	
--	11141	GEARBOX	24:1,1-1/4HP,S MT 2-3/16..(W/5HP MOTOR) OPT	
14	3134	COLLAR	1-15/16 BOSTN LOCKING(USE W/#11134 GRBX) OPT	
--	3133	COLLAR	2-3/16 BOSTON LOCKING(USE W/#11141 GRBX) OPT	
15	60431	BRACKET	GEARBOX TENSIONER ... (USE W/#11134 GRBX) OPT	
--	60881	BRACKET	GEARBOX TENSIONER ... (USE W/#11141 GRBX) OPT	
16	5732	SHEAVE	1B10.8-OD W/1-3/8 BORE	OPT
--	5986	SHEAVE	1TB110 (USES P1 BUSHING)	OPT
--	5666	SHEAVE	ITB160 (USES Q1 BUSHING)	OPT
--	5052	SHEAVE	1B20.0-PD QD-SK (USES QD-SK BUSHING) ... OPT	
17	5961	BUSHING	QD-SK 1-3/8	OPT
--	5698	BUSHING	Q1 1-3/8	OPT
--	5707	BUSHING	P1 1-9/16	OPT
18	B77	BELT	OPT
--	B78	BELT	OPT
--	B85	BELT	OPT
--	B99	BELT	OPT
19	5721	SPROCKET	80B12 F 1-15/16 (USE W/#11134 GRBX) OPT	
--	5821	SPROCKET	80B12 F 2-3/16 (USE W/#11141 GRBX) OPT	
20	2020	NUT	IDLER ADJUSTING	1
21	5218	IDLER	4" BELT,1 OPEN SIDE,1" FLANGE	2
22	5204	TIRE	CHAIN IDLER	2
23	10352	SHAFT	FRONT DRIVE	1
24	5687	SPROCKET	WH-78; 9 TOOTH W/HUB	2
25	5663	BUSHING	Q1 2-7/16	3
26	3124	BEARING	2-7/16 PILLOW BLOCK W/COLLAR	2
--	3126	INSERT	2-7/16 REPLACEMENT BEARNG	A/R
27	3125	COLLAR	2-7/16 ECCENTRIC LOCKING	A/R
28	80Q60	SPROCKET	80Q60	1

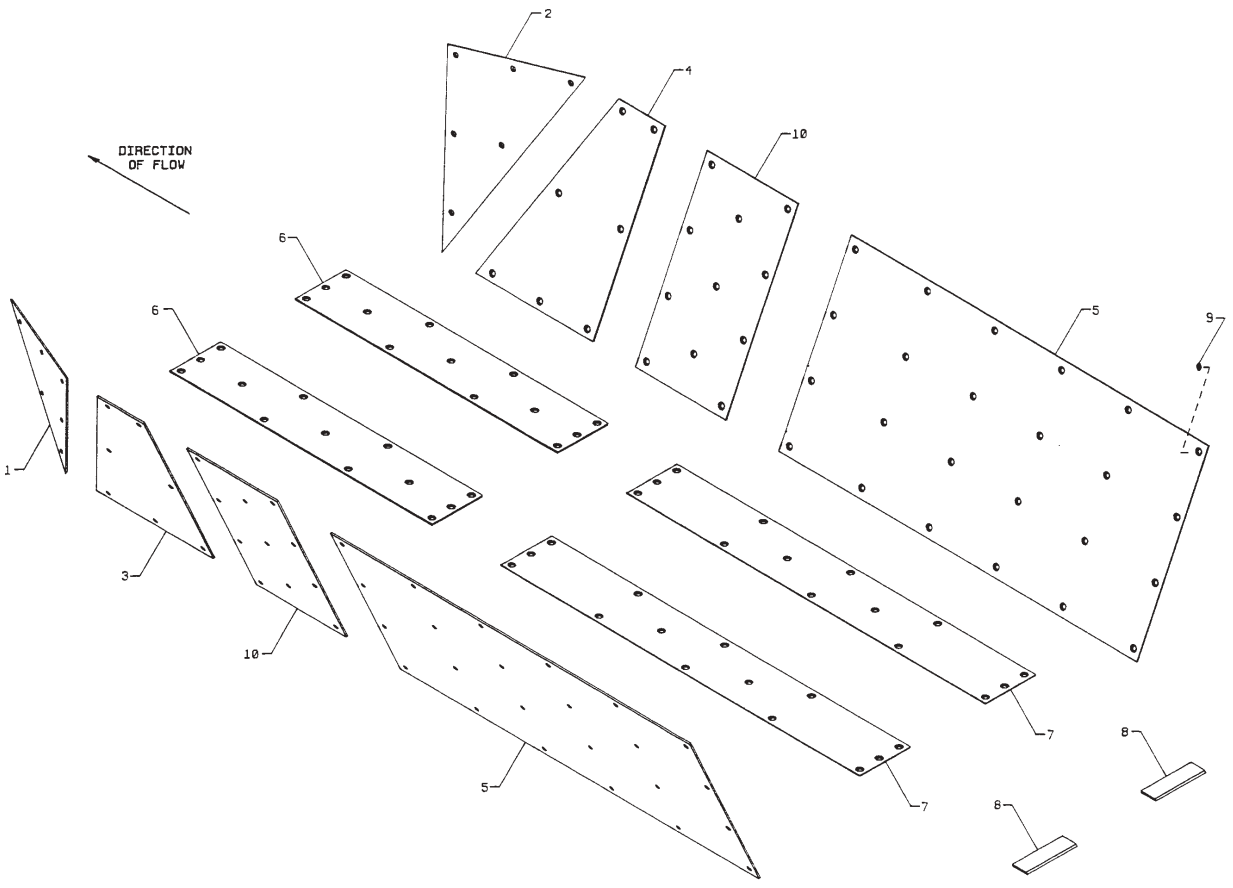


459

4. INVERTER DRIVE SECTION - OPTIONAL

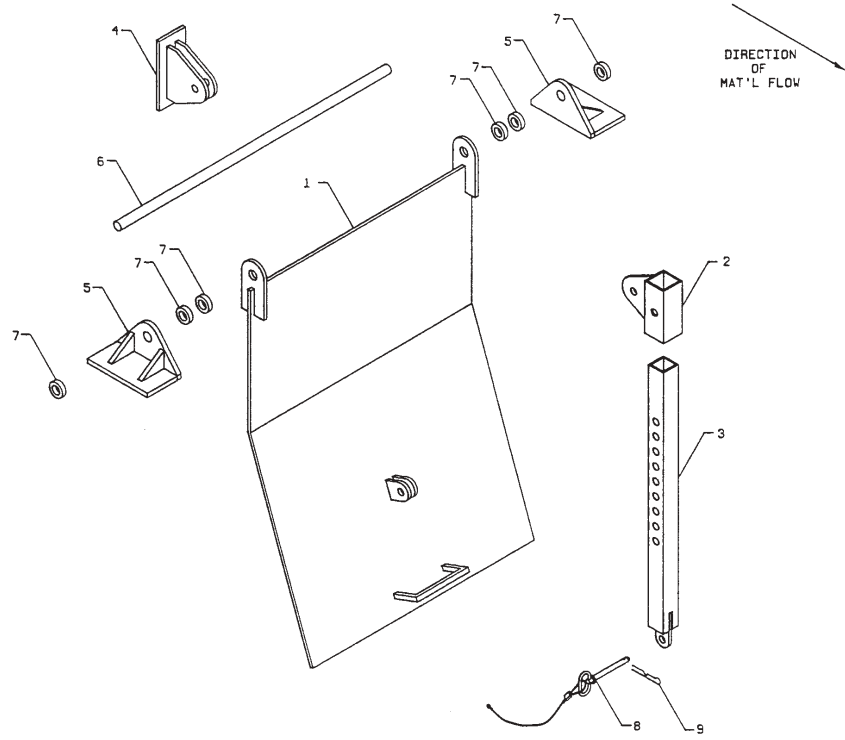
NO.	PART NO.	KEYWORD	DESCRIPTION	NO. REQ'D
1	15094	CONNECTOR	3/8 STRAIGHT LIQUID TIGHT	2
2	15096	CONNECTOR	3/8 90 DEG. LIQUID TIGHT	2
3	15089	CONDUIT	3/8 LIQUATITE, 5-1/2 LONG	1
4	15765	INVERTER	V14030C NEMA4 ENCLOSUREUS	1
--	15795	INVERTER	L15030C NEMA4 ENCLOSURECANADA	1
--	15884	INVERTER	V13030C NEMA4 ENCLOSUREEUROPE	1
5	15104	SWITCH	SAFETY 30 AMP 3PHASE	1
6	91622	PANEL	INVERTER/SWITCH	1
7	122962	HOOD	INVERTER/SWITCH	1
8	15796	FUSE	FLSR-15	3

NOTE: ADDITIONAL PARTS ARE INCLUDED AS
 OPTIONS IN DRIVE ASSEMBLY SECTION.



5. POLYETHYLENE SLIDE KIT - OPTIONAL

NO.	PART NO.	KEYWORD	DESCRIPTION	NO. REQ'D
1	13405	SLIDE	LEFT PARTITION	1
2	13406	SLIDE	RIGHT PARTITION	1
3	13407	SLIDE	LEFT SHORT WALL	1
4	13408	SLIDE	RIGHT SHORT WALL	1
5	13409	SLIDE	MAIN LONG WALL	2
6	13419	SLIDE	5'10" TROUGH	2
7	13424	SLIDE	8' TROUGH	2
8	91006	FLAT	TOP SLIDE	2
9	1573	WASHER	WELD 1.3/8 X 3/8 X 14 GA	138
10	13422	SLIDE	2' WALL	2

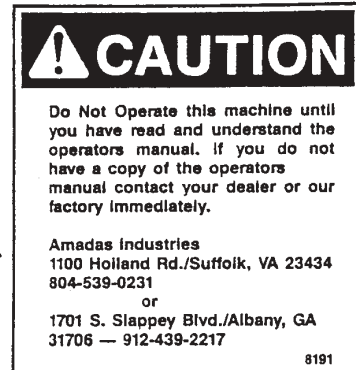


6. FEED GATE ASSEMBLY - OPTIONAL

NO.	PART NO.	KEYWORD	DESCRIPTION	NO. REQ'D
--	7443	KIT	FEED GATE ASSEMBLY	
1	61124	GATE	FEED DOOR	1
2	61121	ADJUSTER	FEED GATE MOVEABLE LUG	1
3	61120	ADJUSTER	FEED GATE	1
4	61125	MOUNT	STATIONARY GATE DOOR	1
5	61126	MOUNT	GATE DOOR PIVOT	2
6	10551	SHAFT	FEED GATE PIVOT	1
7	3184	COLLAR	1" SPLIT RING	6
8	S2056	ASSEMBLY	PIN CABLE	1
9	2196	PIN	PLATED HAIR COTTER	1



← 1



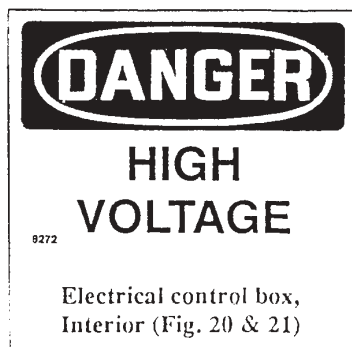
2 →



← 3



4 →



← 5

859

7. DECALS

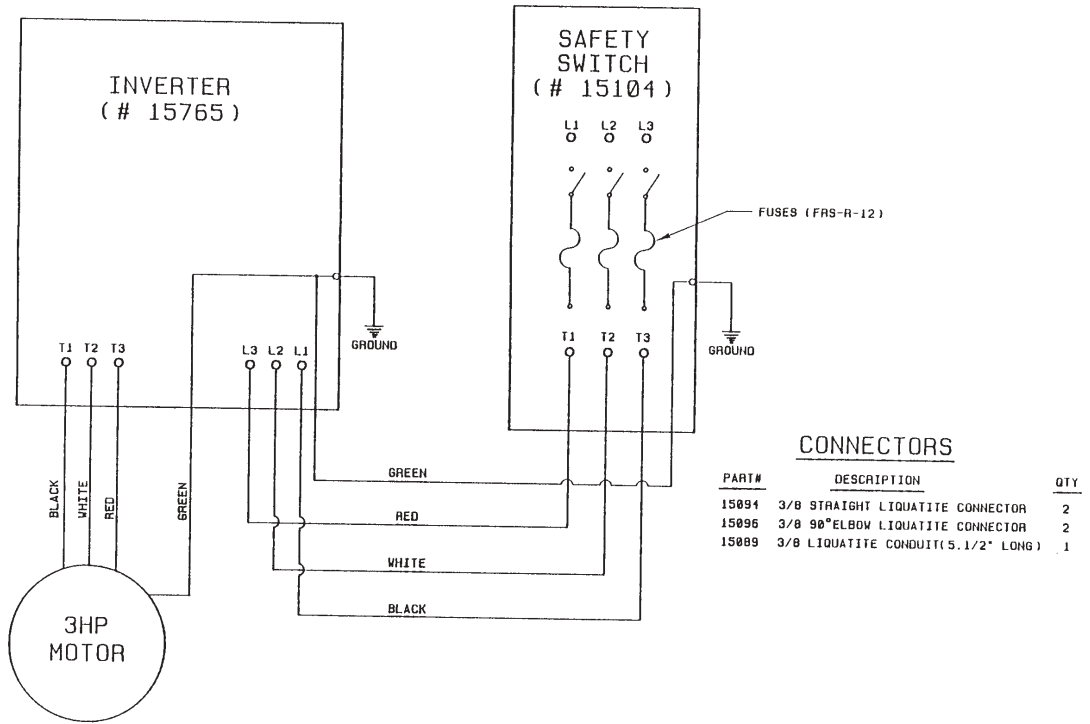
NO.	PART NO.	KEYWORD	DESCRIPTION	NO. REQ'D
1	8180	DECAL	DANGER: REMOTE OPERATION	2
2	8191	DECAL	WARNING: READ OP. MANUAL	1
3	8190	DECAL	CAUTION: (LIST)	1
4	8188	DECAL	CAUTION: SHIELDS	2
5	8272	DECAL	DANGER: HIGH VOLTAGE.....INVERTER DRIVE	1

NOTE: THE FOLLOWING DECALS ARE USED BUT
ARE NOT SHOWN.

--	8343	DECAL	AMADAS "AMERICAN MADE"	1
--	80030	DECAL	"AMADAS"; 10"	2
--	8398	DECAL	"AMADAS"; 36" GRAY	1

REFER TO OPERATOR'S MANUAL FOR LOCATION
OF DECALS & ADDITIONAL SAFETY
INFORMATION

INVERTER DRIVE ELECTRICAL DIAGRAM



1258

NUMERICAL PARTS INDEX

PART NO.	PAGE	PART NO.	PAGE	PART NO.	PAGE
B77	7	3090	7	90364	3
B78	7	3111	7	90365	3
B85	7	3119	7	90366	3
B99	7	3124	7	90511	5
G124589	3	3125	7	90997	3
G131016	3	3126	7	90998	3
S2056	13	3133	7	90999	3
10263	7	3134	7	91006	11
10351	7	3184	13	91384	3
10352	7	4365	7	91385	3
10471	7	4365-82	7	91386	3
10551	13	4365B	7	91622	9
11134	7	4533	7	91734	3
11141	7	5052	7	91834	3
11142	7	5057	7	91835	3
121725	3	5075	7	92160	3
121727	3	51072	7	92166	3
121733	3	5204	7		
122320	3	5218	7		
122333	3	5416	7		
122334	3	5663	7		
122962	9	5666	7		
123111	3	5687	7		
123116	3	5698	7		
123465	3	5707	7		
13350	5	5721	7		
13352	5	5732	7		
13353	5	5821	7		
13354	5	5961	7		
13370	5	5986	7		
13372	5	60430	3		
13405	11	60431	7		
13406	11	60608	3		
13407	11	60881	7		
13408	11	61120	13		
13409	11	61121	13		
13419	11	61124	13		
13422	11	61125	13		
13424	11	61126	13		
13426	5	7443	13		
15089	9	80Q60	7		
15094	9	80030	15		
15096	9	8180	15		
15104	9	8188	15		
15162	7	8190	15		
15164	7	8191	15		
1573	11	8272	15		
15765	9	8343	15		
15795	9	8398	15		
15796	9	90339	3		
15884	9	90341	5		
2020	7	90343	5		
2196	13	90357	3		
3086	7	90358	3		
3087	7	90361	3		
3089	7	90362	3		

WARRANTY

For AMADAS INDUSTRIES Industrial Machinery

A. General Provisions

AMADAS INDUSTRIES ("Company") warrants that each machine manufactured by it and sold under its trademark shall be free from defects in material and workmanship. The company's sole obligation under this warranty shall be limited to making good, F.O.B. Company factory, any part of its product which under normal and proper use and maintenance proves defective in material and workmanship within six months after delivery to the Buyer provided that notice of such defect and satisfactory proof thereof is promptly given by the Buyer to the Company, with transportation charges prepaid, and Company's examination proves such part to have been defective.

This warranty does not apply in respect to damage to any product or accessory or attachment thereof caused by overloading or other misuse, neglect or accident nor does this warranty apply to any product, or accessory or attachment thereof which shall have been repaired or altered by other than the Company which, in the sole judgement of the Company affects the performance, stability or purpose for which it was manufactured.

With respect to tires, engines, or other trade accessories, the Company makes no warranty whatsoever and the buyer shall rely solely upon the existing warranties, if any, of the respective manufacturers thereof.

B. Unapproved Service or Modification

All obligations of AMADAS INDUSTRIES under this warranty are terminated if the machinery is modified or altered in ways not approved by AMADAS INDUSTRIES

C. Owner's Responsibilities

- a. Read the operator's manual before operating the machinery.
- b. Perform all necessary maintenance as described in the operators's manual.
- c. Contact AMADAS INDUSTRIES promptly on any warranty claim.
- d. Sign the AMADAS INDUSTRIES machine delivery form and return promptly as this validates the warranty.

D. Disclaimer

There are no warranties that extend beyond the description here. **ANY WARRANTIES OF MERCHANTABILITY AND FITNESS FOR ANY PARTICULAR PURPOSE ARE SPECIFICALLY DISCLAIMED AS ARE ALL OTHER REPRESENTATIONS TO THE PURCHASER.** AMADAS INDUSTRIES specifically excludes any liability on behalf of the Company for any incidental or consequential damages including, but not limited to loss of profits, rental of substitute equipment, or other commercial losses. AMADAS INDUSTRIES shall not be responsible for expenses or inconvenience that you might incur or experience with respect to any AMADAS INDUSTRIES Industrial Machinery, nor shall AMADAS INDUSTRIES be liable for defects, damage, or failure caused by improper storage, unreasonable use, or abuse, or accident, including the failure to provide reasonable and specified maintenance. This warranty applies only to the original purchaser of the machinery. Because some states do not allow the exclusion of limitation of incidental or consequential damages, the above limitation may not apply to you. This warranty gives you specific legal rights. You may also have other rights, which vary from state to state. Where there is a conflict between a provision of this warranty and the provision of any state, the state legislation prevails.

A M A D A S
INDUSTRIES