

**BG01  
OPEN MOUTH  
BAGGER**

1st Edition

CAT139

Beginning Serial #A33600

\_\_\_\_\_

**Owner's Name** \_\_\_\_\_

**Dealer's Name** \_\_\_\_\_

**Serial Number** \_\_\_\_\_ **Model No.** \_\_\_\_\_

**Date Purchased** \_\_\_\_\_

# TABLE OF CONTENTS

CAT139  
1st Edition  
November 15, 1995

## BG01 OPEN MOUTH BAGGER

Section	Page
1 Conveyor Assembly.....	2
2 Midsection Bagger Assembly.....	4
3 Upper Bagger Assembly.....	6
4 Covers.....	8
5 Spout Assemblies.....	10
6 Clean-Out Conveyor - Optional.....	12
7 Chopper Assembly - Optional.....	14
8 Exhaust Fan Assembly - Optional.....	16
9 Pneumatics Assembly.....	18
10 Electrical & Access Panels.....	20
11 Stand Assembly.....	22
12 248 Conveyor Stand - Optional.....	24
13 Right Side Conduit Diagram.....	26
14 Left Side Conduit Diagram.....	28
15 Decals.....	30
16 Bagger Electrical Panel Diagram.....	32
17 Starter & Contractor Breakdown (chart).....	33
18 Control Ladder Diagram.....	34
19 Bagger Power Distribution Diagram.....	38
Numerical Parts Index.....	39
Warranty	

### NOTES

The Terms "Left" and "Right" used in the description of parts are determined by facing the direction of flow of material through the machine.

"A/R" found in the "No. Req'd" column denotes "As Required".

"OPT" found in the "No., Req'd" column denotes "Optional".

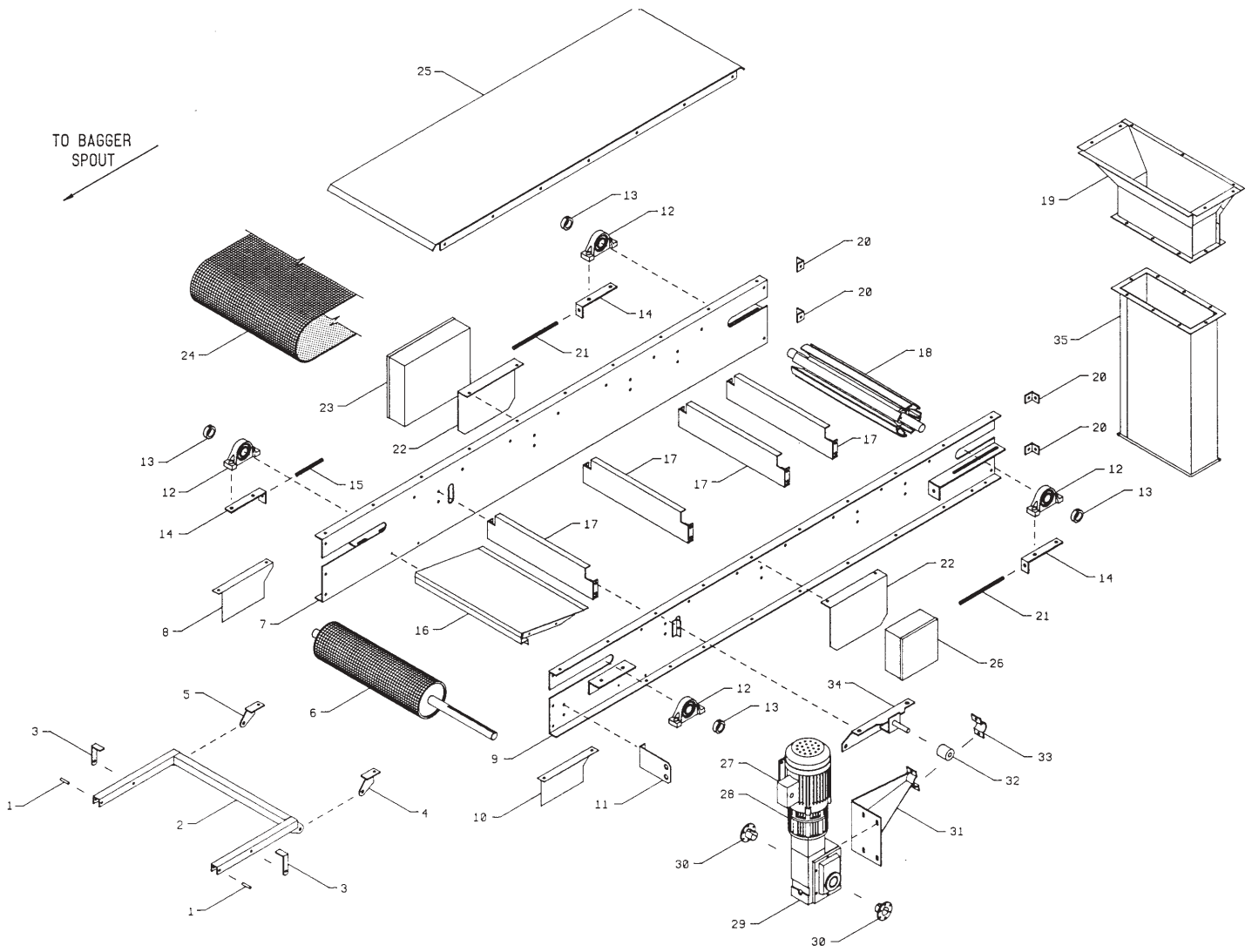
---

1100 Holland Road Suffolk, VA 23434 U.S.A.  
(804) 539-0231 / Fax - (804) 934-3264

1701 S. Slappey Blvd./P.O. Box 3687 Albany, GA 31706  
(912) 439-2217 / Fax (912) 439-9343

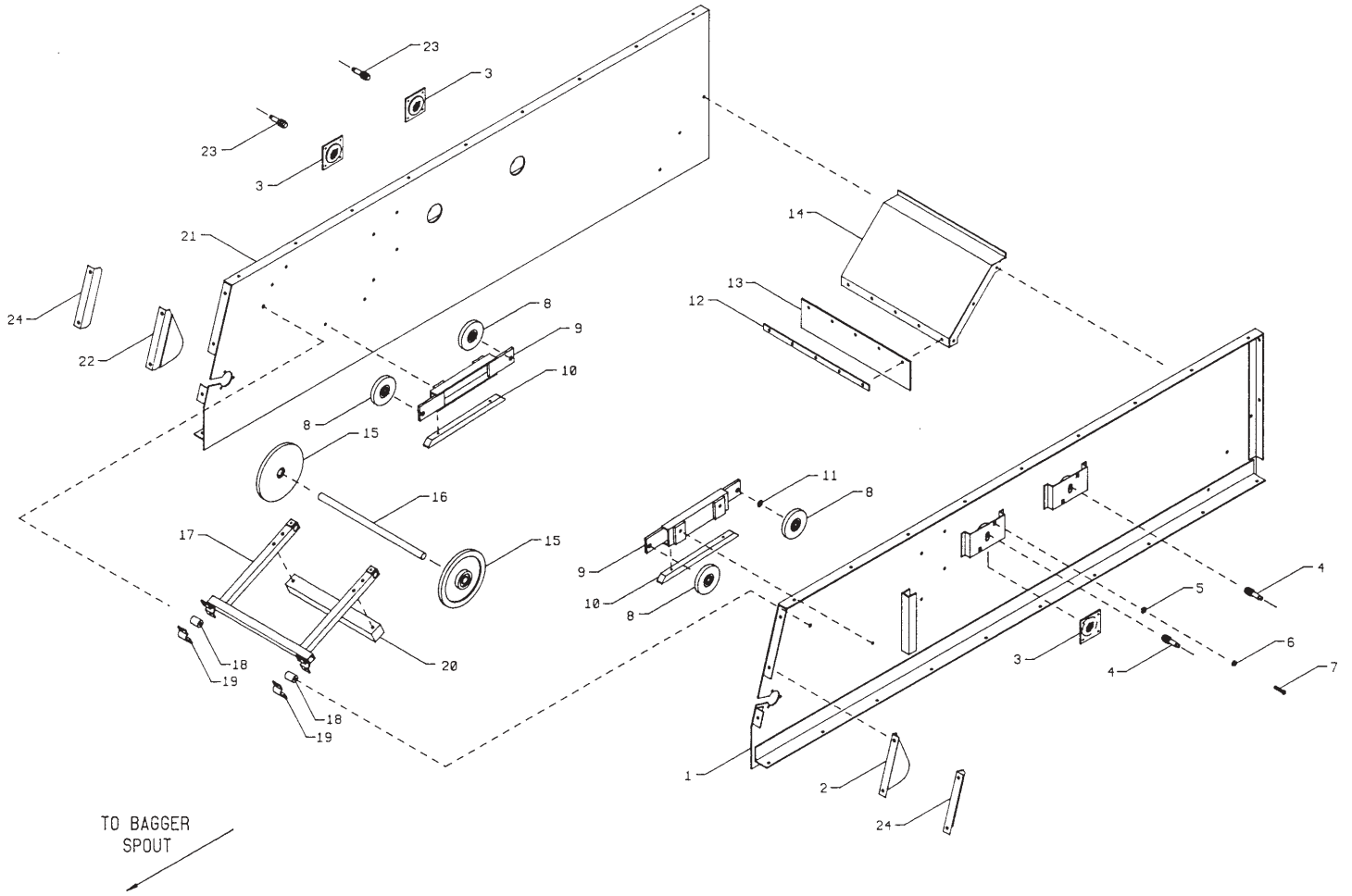
**A M A D A S**  
INDUSTRIES

TO BAGGER  
SPOUT



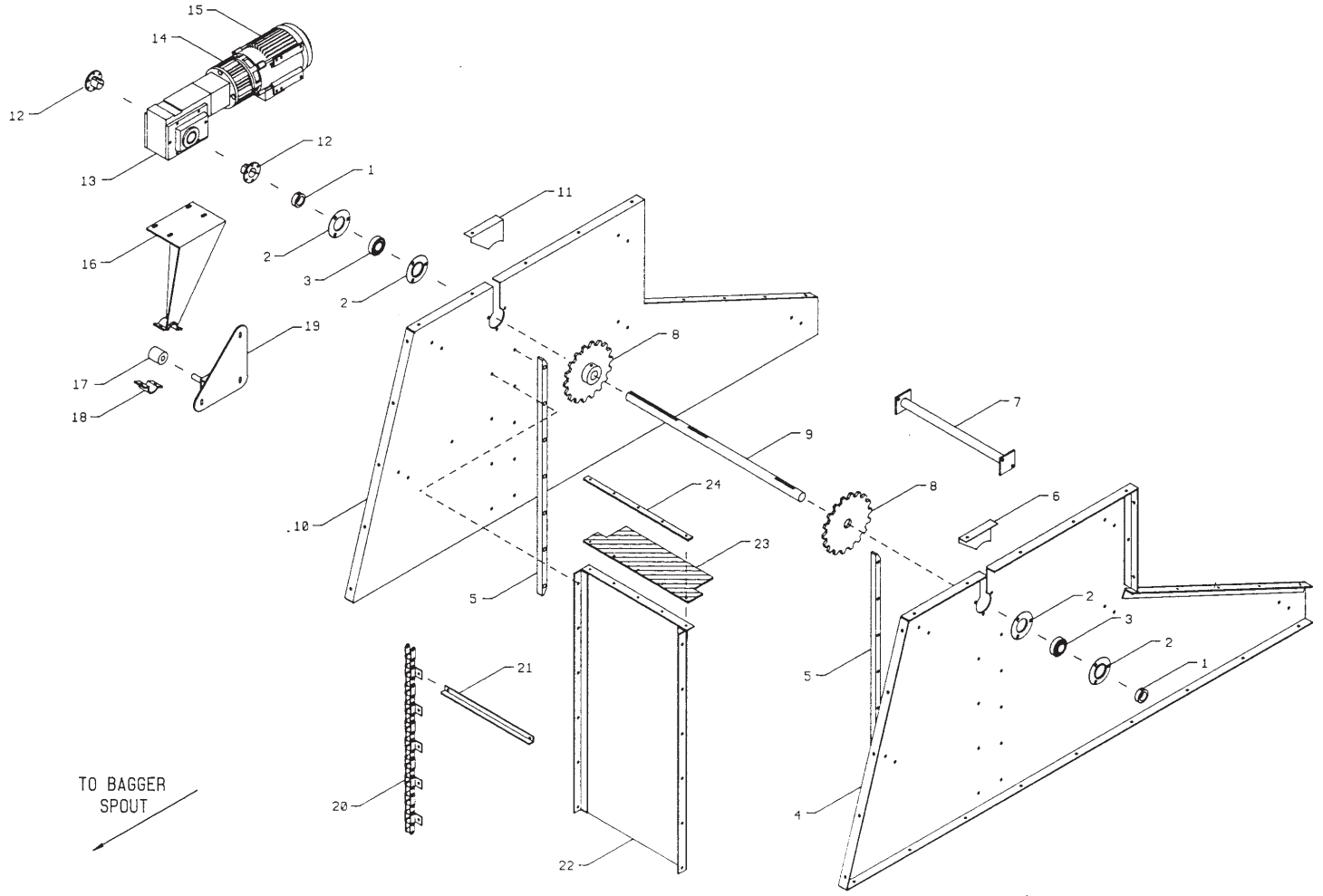
1. CONVEYOR ASSEMBLY

NO.	PART NO.	KEYWORD	DESCRIPTION	NO. REQ'D
1	2414	PIN	ROLL 3/8X1-3/4	2
2	92501	SPOUT	MOUNT	1
3	92502	LEVER	SPOUT MOUNT	2
4	92503	MOUNT	HINGE; RIGHT	1
5	92504	MOUNT	HINGE; LEFT	1
6	51219	ROLLER	DRIVE	1
7	123819	SIDE	BAGGER COVNEYOR; RIGHT	1
8	123846	SHIELD	CONVEYOR; RIGHT	1
9	123820	SIDE	BAGGER CONVEYOR; LEFT	1
10	123847	SHIELD	CONVEYOR; LEFT	1
11	123993	MOUNT	FITTING; SPOUT	1
12	3011	BEARING	1-7/16 PILLOW BLOCK W/COLLAR	4
13	3080	COLLAR	1-7/16 ECCENTRIC LOCKING	A/R
14	61273	ADJUSTER	BEARING	3
15	6859	ROD	ADJUSTING	1
16	120089	COVER	FRONT BOTTOM	1
17	123823	REINFORCMT	CONVEYOR	4
18	51251	ROLLER	IDLER; BAGGER (ASSEMBLY)	1
--	51247	ROLLER	WING PULLEY; FACED	1
--	51214	BUSHING	1.7/16	2
--	10589	SHAFT	TAIL ROLLER	1
19	124022	SPOUT	DISCHARGE; STANDARD	1
20	61281	ANGLE	COVER MOUNT	4
21	61280	ROD	1/2-13 X 10LG	2
22	123860	MOUNT	ELEC. BOX	2
23	16028	BOX	SC PULL 15X12X4	1
24	4158-1525	BELTING	15'3"X24" WEDGEGRIP W/LACING,PIN,STAPLES	1
--	4296	BELTING	48 WIDE WEDGRIP POLY, 1/4 (BY SQ.FT.)	A/R
--	4612	LACING	STAPLE #125X24"1SET W/PIN	A/R
--	4613	STAPLE	#62 USE W/#4612 ON WEDGEGRIP	48
25	123829	WEARPLATE	BAGGER CONVEYOR	1
26	16027	BOX	SC PULL 8X8X4	1
27	15161	MOTOR	2H/3P/460/1800/145TC/TEFC	1
--	15767	MOTOR	3,1.5/3/460/1725,850/184T ..2-SPEED,460V	1
--	15797	MOTOR	3,1.5/3/230/1725/850/184T ..2-SPEED,230V	1
--	15798	KIT	NEMA C-FACE CONV. 182-4TC .....2-SPEED	1
28	11301	CLUTCH	C FACE; & BRAKE	1
--	11310	CLUTCH	C-FACE & BRAKE;180,24V DC .....2-SPEED	1
29	11293	GEARBOX	30:1 TIGEAR;C-200,2HP,145	1
--	11309	GEARBOX	30:1 TIGEAR;C-262,3HP,180 .....2-SPEED	1
30	11323	BUSHING	1-7/16 TWIN TAPER (TWO INCLUDED)	2
--	11294	BUSHING	1-7/16 TAPERED (TWO INCLUDED) ...2-SPEED	2
31	92516	MOUNT	REACTION GEARBOX	1
--	92703	MOUNT	REACTION GEARBOX C262 .....2-SPEED	1
32	4283EP	GROMMET	2"OD X 3/4"ID X 2"LG EP688	1
33	6677	CLAMP	LARGE GROMMET	1
34	92520	MOUNT	REACTION ROD	1
35	124023	EXTENSION	SPOUT; STANDARD	1



2. MIDSECTION BAGGER ASSEMBLY

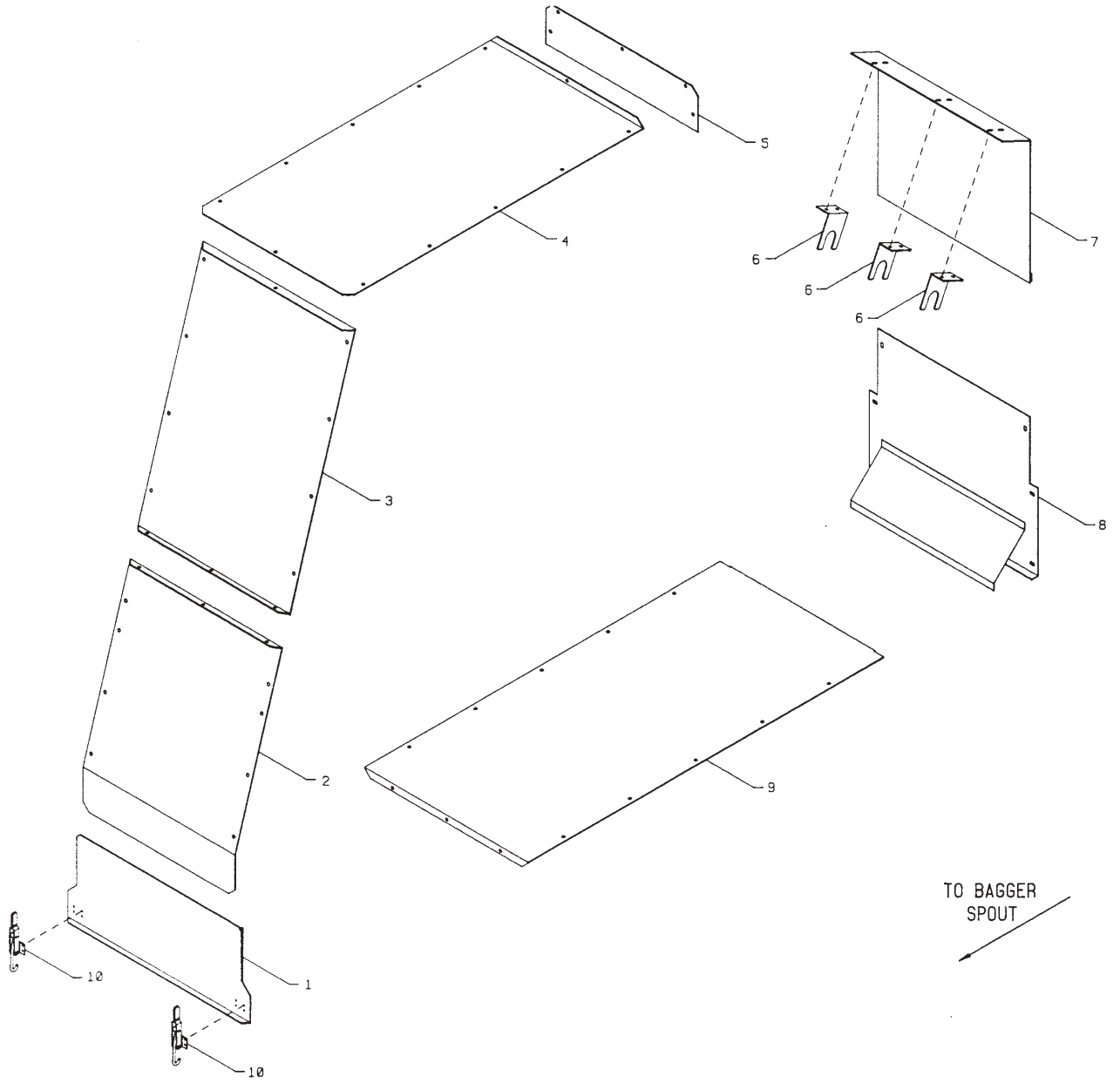
NO.	PART NO.	KEYWORD	DESCRIPTION	NO. REQ'D
1	123822	EXTENSION	LEFT SIDE .....	1
2	123827	COVER	CHOPPER SHAFT; LEFT .....	1
3	4531	WINDOW	TRANSPARENT .....	4
4	15953	EYE	ELEC.EMITT.10-30VDC W/CON .....	2
5	G9429151	NUT	5/16-18 "CAGE";14-10GA .....	8
6	G128001	NUT	5/16-18 SERRATED FLANGE .....	8
7	G102889	SETSCREW	5/16-18X2 SQ HEAD .....	8
8	5338	IDLER	4-1/2 CHAIN W/BEARING .....	4
9	60444	MOUNT	IDLER .....	2
10	61317	GUIDE	CHAIN .....	2
11	G120396	WASHER	1/2 SAE FLAT .....	A/R
12	92486	STRIP	FLAP MOUNTING .....	1
13	4685	FLAP	CONVEYOR END .....	1
14	123824	PANEL	REAR SLIDE .....	1
15	5121	IDLER	9 WHEEL ASSEMBLY W/BEARING .....	2
16	10127	SHAFT	IDLER .....	1
17	60084	TIGHTENER	SLACK CHAIN .....	1
18	4044	GROMMET	RUBBER .....	2
19	6247	CLAMP	GROMMET .....	2
20	60048	SQUARE	SLACK ELIMINATOR WEIGHT .....	1
21	123821	EXTENSION	RIGHT SIDE .....	1
22	123828	COVER	CHOPPER SHAFT; RIGHT .....	1
23	15954	EYE	ELEC.REC.10-30VDC W/CONN. ....	2
24	124016	COVER	CHOPPER SHAFT .....W/CHOPPER	2



3. UPPER BAGGER ASSEMBLY

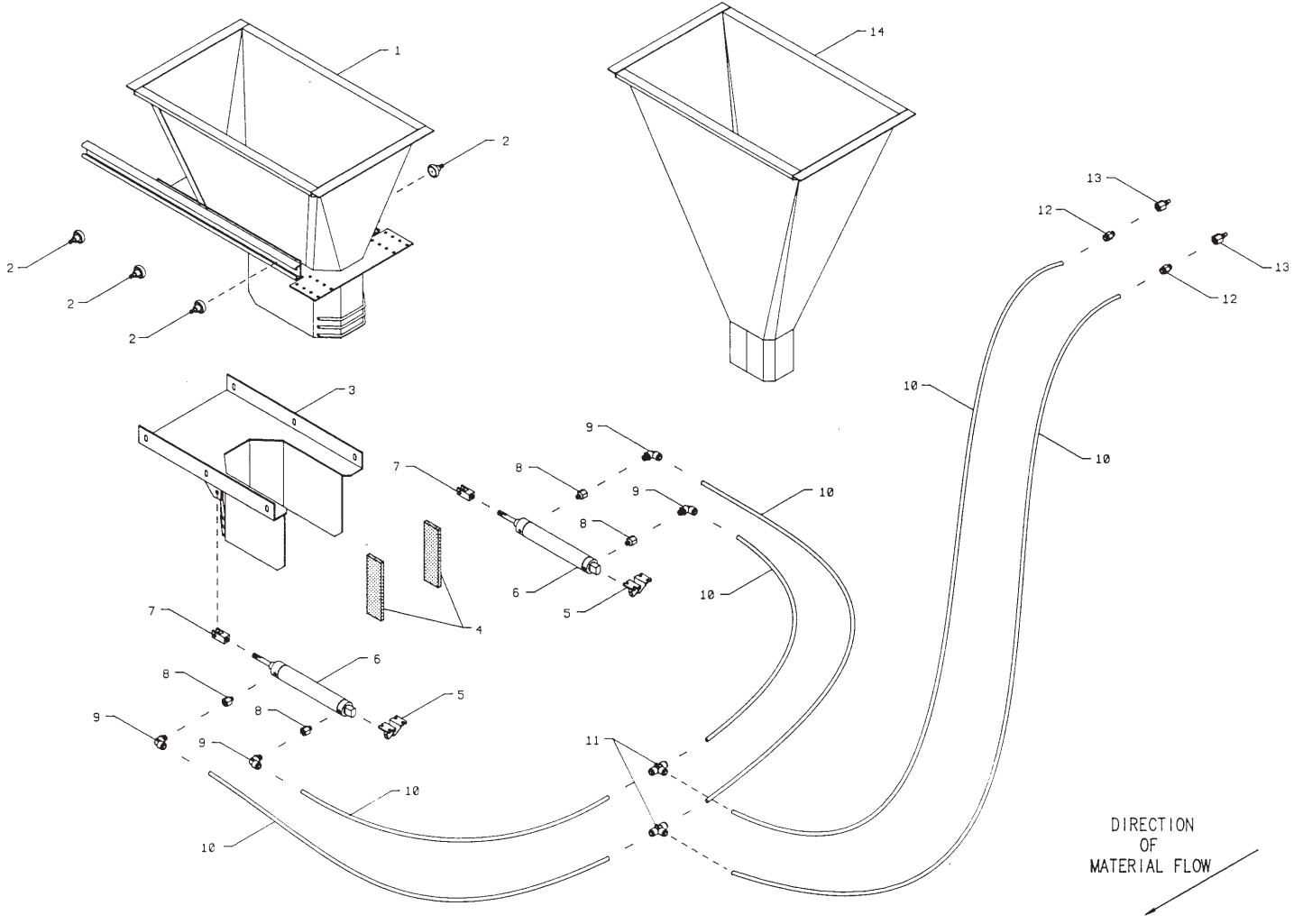
NO.	PART NO.	KEYWORD	DESCRIPTION	NO. REQ'D
1	3080	COLLAR	1-7/16 ECCENTRIC LOCKING .....	A/R
2	3091GB	FLANGETTE	RELUBE W/O FITTING .....	4
3	3098	INSERT	1-7/16 BEARING W/COLLAR .....	2
4	123813	SIDE	BAGGER; LEFT .....	1
--	124028	SIDE	BAGGER; LEFT .....EXHAUST FAN	1
5	4682	GUIDE	CHAIN .....	2
6	123826	SHIELD	CHAIN DRIVE; LEFT .....	1
7	92490	BAR	REINFORCING .....	5
8	51170	SPROCKET	ASSEMBLY; 18 TOOTH .....	2
9	10588	SHAFT	LEVELING CHAIN .....	1
10	123812	SIDE	BAGGER; RIGHT .....	1
11	123825	SHIELD	CHAIN DRIVE; RIGHT .....	1
12	11323	BUSHING	1-7/16 TWIN TAPER (TWO INCLUDED) .....	2
13	11287	GEARBOX	20:1,TIGEAR;C200,2HP,145 .....	1
14	11302	CLUTCH	C FACE .....	1
15	15161	MOTOR	2H/3P/460/1800/145TC/TEFC .....	1
16	92517	MOUNT	REACTION ROD GEARBOX .....	1
17	4283EP	GROMMET	2 OD X 3/4 ID X 2 LONG .....	1
18	6677	CLAMP	GROMMET .....	1
19	123866	BRACKET	REACTION ROD .....	1
20	4454-92	CHAIN	CA557 W/A4 EA.4 .....	2
21	60449	BAR	DRAG .....	23
22	123830	BOARD	MATERIAL RESTRAINING .....	1
23	4804	FLAP	CHAIN CLEANER .....	1
24	6545	TIGHTENER	FLAP .....	1





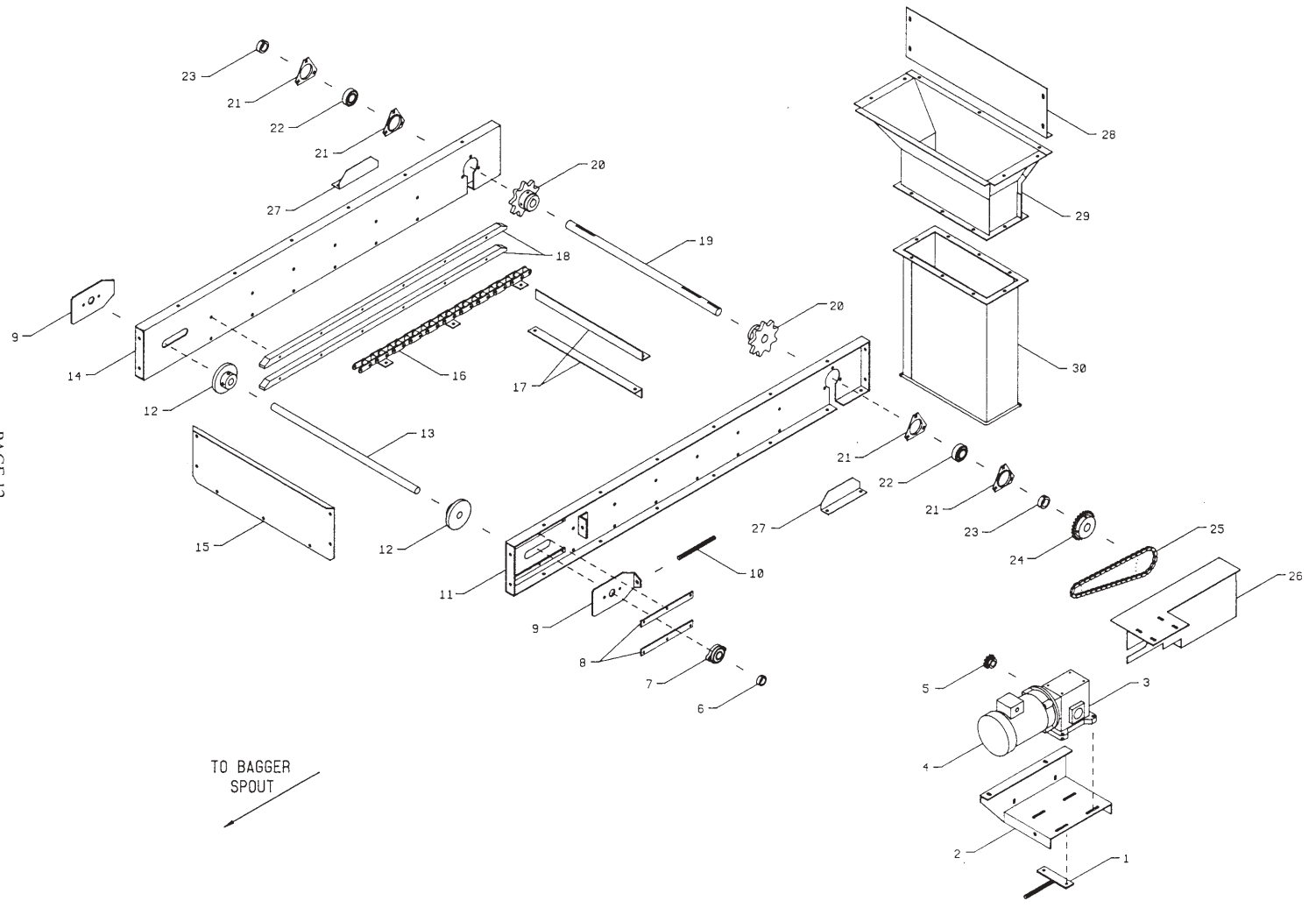
4. COVERS

NO.	PART NO.	KEYWORD	DESCRIPTION	NO. REQ'D
1	123814	COVER	FRONT LOWER .....	1
2	123815	COVER	FRONT MIDDLE .....	1
3	123816	COVER	FRONT UPPER .....	1
4	123817	COVER	TOP .....	1
5	123818	COVER	TOP BACK .....	1
6	123870	BRACKET	HANGER .....	3
7	123869	COVER	BACK .....	1
8	123864	COVER	LOWER BACK .....	1
9	123845	COVER	CONVEYOR BOTTOM .....	1
10	80168	CLAMP	DE-STA-CO 375# CAPACITY .....	2



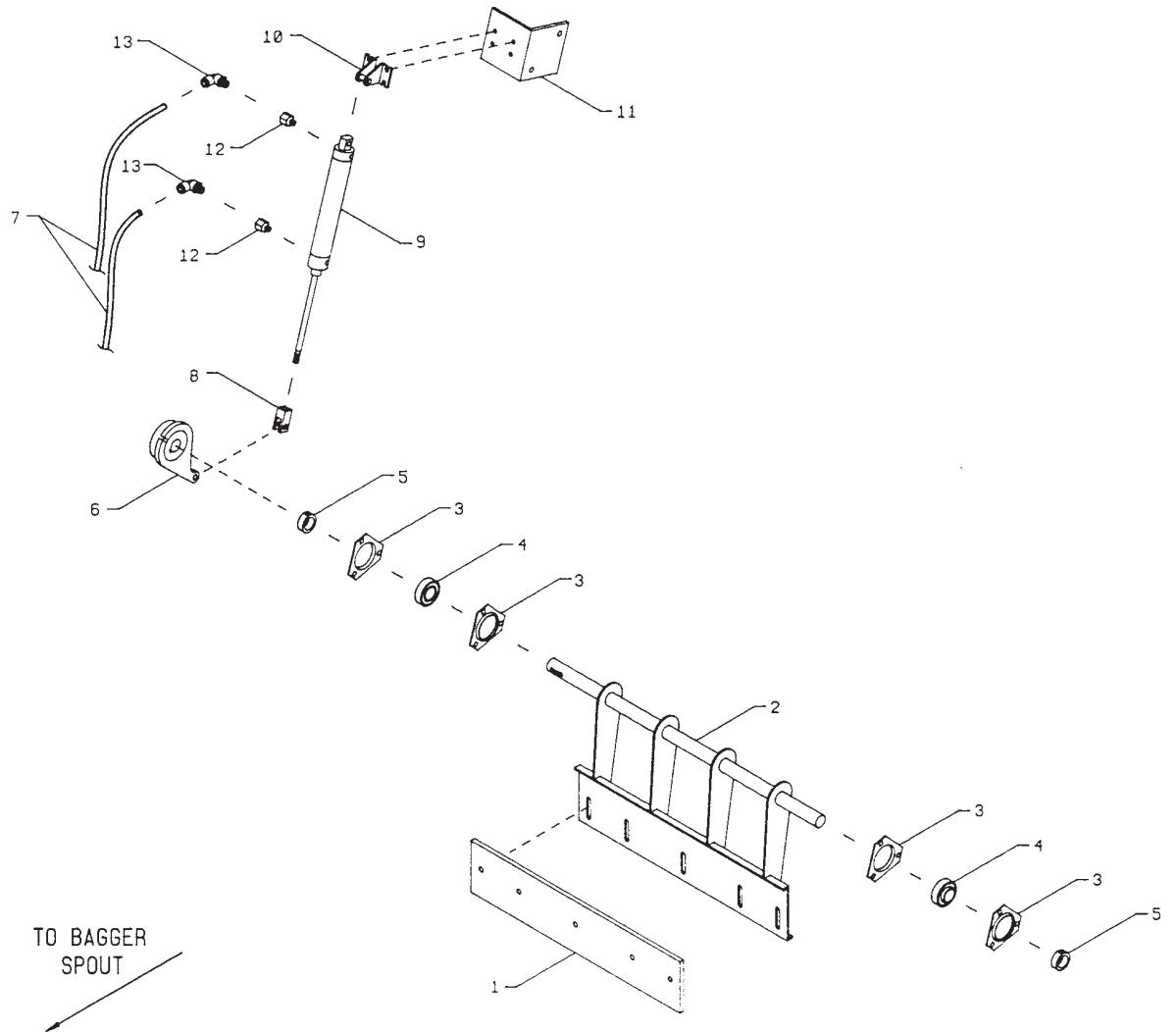
5. SPOUT ASSEMBLIES

NO.	PART NO.	KEYWORD	DESCRIPTION	NO. REQ'D
1	124030	SPOUT	STATIONARY; 3 CU.FT. ....	1
--	124032	SPOUT	STATIONARY; 2 CU.FT. ....	1
--	124014	SPOUT	STATIONARY; 40 LB. ....	1
--	124012	SPOUT	STATIONARY; 20 LB. ....	1
2	51203	ROLLER	BALL BEARING .....3CFT,2CFT,40LB	6
			.....20LB	4
3	124031	SPOUT	MOVEABLE; 3 CU.FT. ....	1
--	124033	SPOUT	MOVEABLE; 2 CU.FT. ....	1
--	124015	SPOUT	MOVEABLE; 40 LB. ....	1
--	124013	SPOUT	MOVEABLE; 20 LB. ....	1
4	13681	SLIDE	BAGGER SPOUT .....3CFT,2CFT	2
5	140059	BRACKET	CLEVIS MOUNTING ..... 2	2
6	140056	CYLINDER	1.5 BORE, 7" STROKE .....3CFT	2
--	140057	CYLINDER	1.5 BORE, 6" STROKE .....2CFT	2
--	140134	CYLINDER	1.5 BORE, 5" STROKE .....40LB	2
--	140135	CYLINDER	1.5 BORE, 4" STROKE .....20LB	2
7	140058	CLEVIS	ROD; W/PINS, NUT, & LOCKWASHER .....	2
8	140052	FITTING	1/8NPT TO 1/4NPT .....	4
9	14975	FITTING	90 DEGREE, 3/8T-1/4NPT .....	4
10	14853	TUBING	3/8 PNEUMATIC .....	A/R
11	14977	FITTING	TEE, 3/8T .....	2
12	14974	FITTING	ST, 3/8T-3/8NPT .....	2
13	140055	FITTING	QUICK DISCONNECT,3/8 FEMALE .....	2
14	124037	SPOUT	5/10 LB. SOILS .....	1



6. CLEAN-OUT CONVEYOR - OPTIONAL

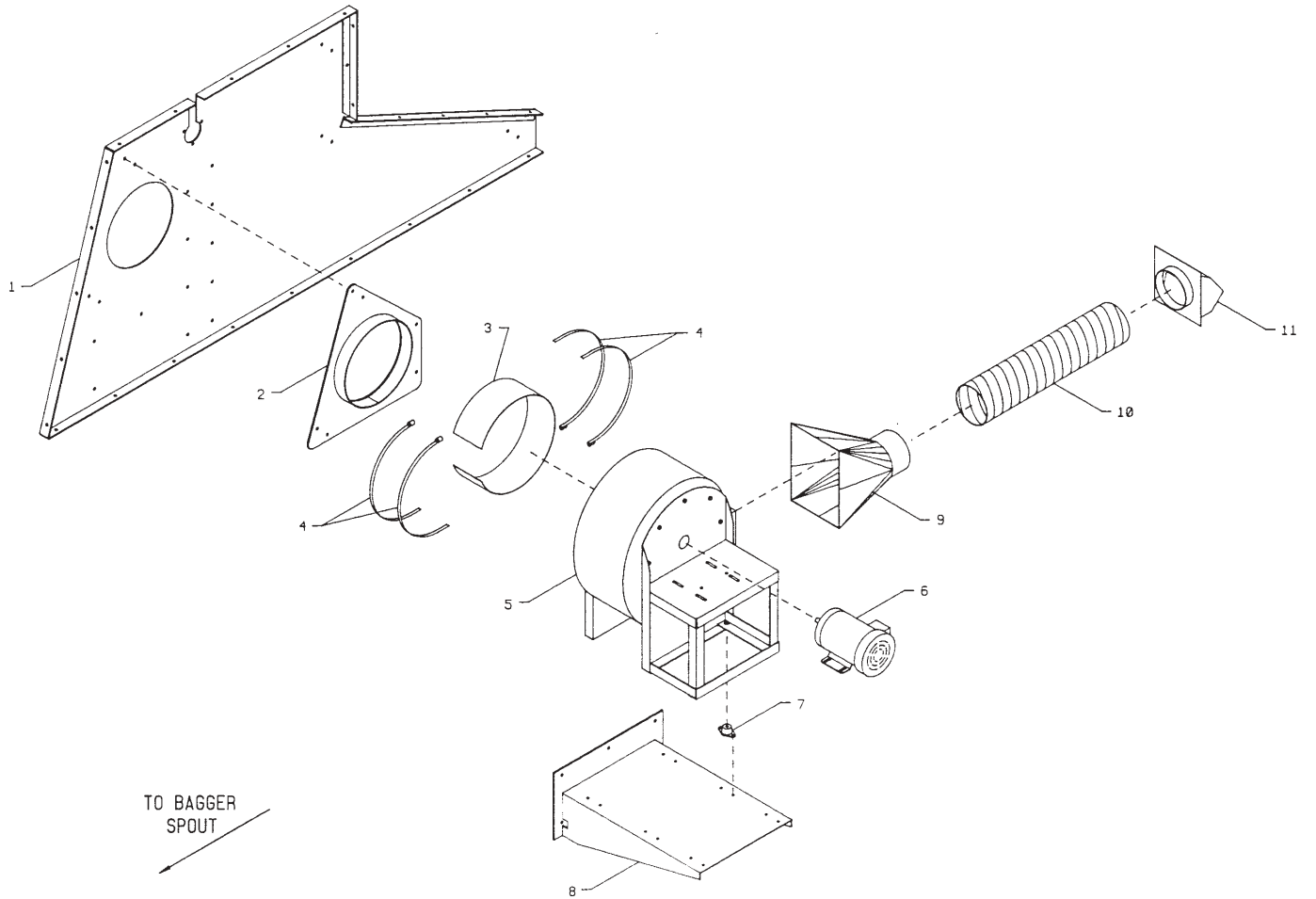
NO.	PART NO.	KEYWORD	DESCRIPTION	NO. REQ'D
1	61278	ADJUSTER	GEARBOX .....	1
2	123859	MOUNT	GEARBOX .....	1
3	11319	GEARBOX	50:1,TIGEAR;C-FACE;175 SZ .....	1
--	11322	BASE	FOOT MOUNT FOR GEARBOX .....	1
4	15156	MOTOR	.50H/3P/460/1800/56C/TEFC .....	1
5	5139	SPROCKET	40B11 F7/8 .....	1
6	3030	COLLAR	1" ECCENTRIC LOCKING .....	A/R
7	3015	BEARING	1" 2-HOLE FLANGE W/COLLAR .....	2
8	6613	TIGHTENER	ADJUSTER .....	4
9	6612	PLATE	ADJUSTER .....	2
10	6615	ADJUSTER	ROD 7X1/2-13 THREADED .....	2
11	123835	SIDE	CLEAN-OUT CONVEYOR; LEFT .....	1
12	5172	IDLER	4-3/8X1 FLAT W/HUB .....	2
13	10288	SHAFT	CONVEYOR IDLER .....	1
14	123836	SIDE	CLEAN-OUT CONVEYOR;RIGHT .....	1
15	123863	COVER	CONVEYOR FRONT .....	1
16	4140-78	CHAIN	CA550 W/A4/8,77 PITCHES+CONNECTOR .....	2
17	60469	FLIGHT	20.750LGX1-1/2X1-1/2X1/8 .....	10
18	4683	GUIDE	CHAIN .....	4
19	10287	SHAFT	CONVEYOR DRIVE .....	1
20	5170	SPROCKET	9 TOOTH F1-3/16 .....	2
21	3093	FLANGETTE	62MS FOR 1-3/16 BEARING .....	4
22	3096	INSERT	1-3/16 REPLACEMENT BEARING W/COLLAR ....	2
23	3005	COLLAR	1-3/16 ECCENTRIC LOCKING .....	A/R
24	51176	SPROCKET	40B25 F/1-3/16 .....	1
25	4042-72	CHAIN	NO.40, 71 PITCHES+CONNECTOR .....	2
26	123861	SHIELD	CLEAN-OUT CONVEYOR .....	1
27	123848	SHIELD	DRIVE SHAFT .....	2
28	124024	COVER	CONVEYOR BACK .....	1
29	124022	SPOUT	DISCHARGE; STANDARD .....	1
30	123834	EXTENSION	SPOUT .....	1



7. CHOPPER ASSEMBLY - OPTIONAL

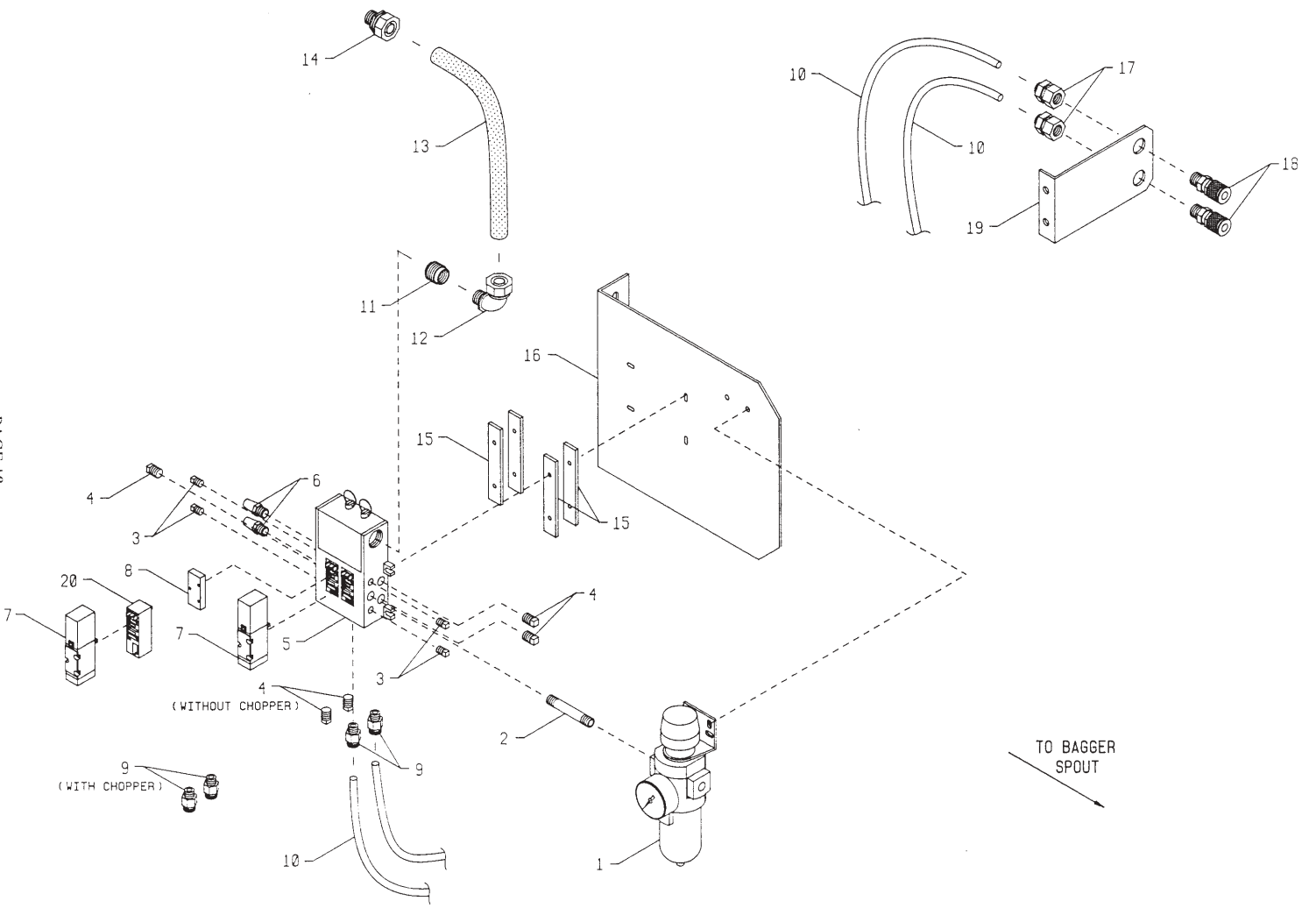
NO.	PART NO.	KEYWORD	DESCRIPTION	NO. REQ'D
1	13686	BLADE	CHOPPER .....	1
2	61318	CHOPPER	SOILS .....	1
3	3165	FLANGETTE	52MM 3-HOLE: TRIANGULAR .....	4
4	3095	INSERT	1" SPHERICAL NON-RELUB., W/COLLAR .....	2
5	3030	COLLAR	1" ECCENTRIC LOCKING .....	A/R
6	61320	ARM	CHOPPER ACTUATOR .....	1
7	14853	TUBING	3/8 PNEUMATIC (BY FT) .....	A/R
8	140163	CLEVIS	ROD; W/PINS, NUT, & LOCKWASHER .....	1
9	140164	CYLINDER	1.5 BORE, 6 STROKE, W/CUSHIONS .....	1
10	140165	BRACKET	CLEVIS MOUNTING .....	1
11	61319	MOUNT	REACTION; CHOPPER .....	1
12	140052	FITTING	1/8NPT TO 1/4NPT .....	2
13	14975	FITTING	90 DEGREE, 3/8T-1/4NPT .....	2





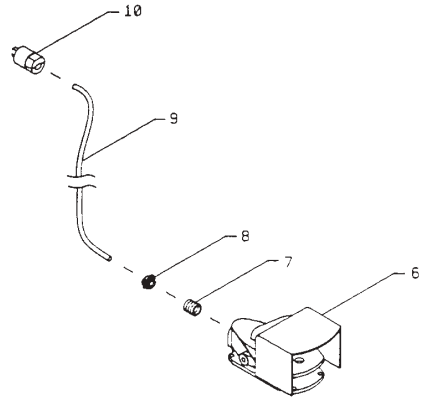
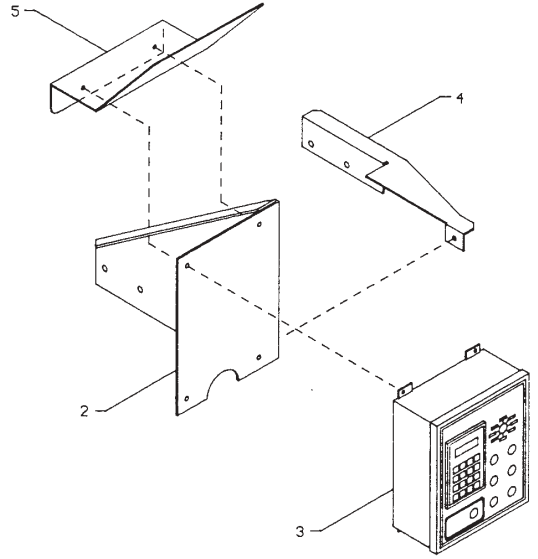
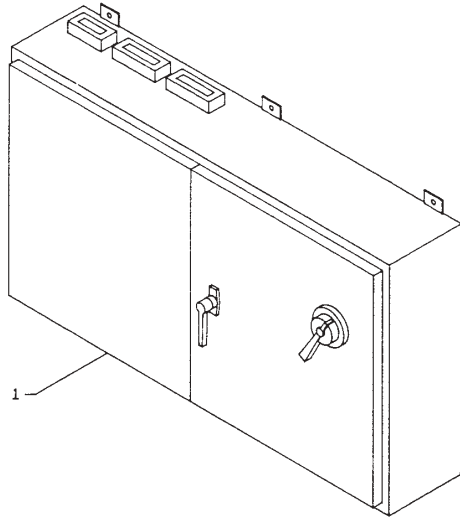
8. EXHAUST FAN ASSEMBLY - OPTIONAL

NO.	PART NO.	KEYWORD	DESCRIPTION	NO. REQ'D
1	124028	SIDE	BAGGER; LEFT .....	1
2	124027	FLANGE	EXHAUST FAN INLET .....	1
3	4819	BELTING	5-7/16"X45"X.05 EPM RUBBER .....	1
4	20506	CLAMP	HOSE; 7" .....	4
5	51260	FAN	RADIAL; WITHOUT MOTOR .....	1
6	16107	MOTOR	1HP/3P/60HZ/TEFC/1750RPM .....	1
7	80181	MOUNT	VIBRATION ISOLATOR .....	6
8	92700	MOUNT	EXHAUST FAN .....	1
9	124025	TRANSITION	13X9-3/8 TO 6 DIA. ....	1
10	80183	DUCT	FLEX;6"DIA. W/CLAMPS .....	1
11	80182	CAP	WALL; FOR 6" DIA. DUCT .....	1



9. PNEUMATICS ASSEMBLY

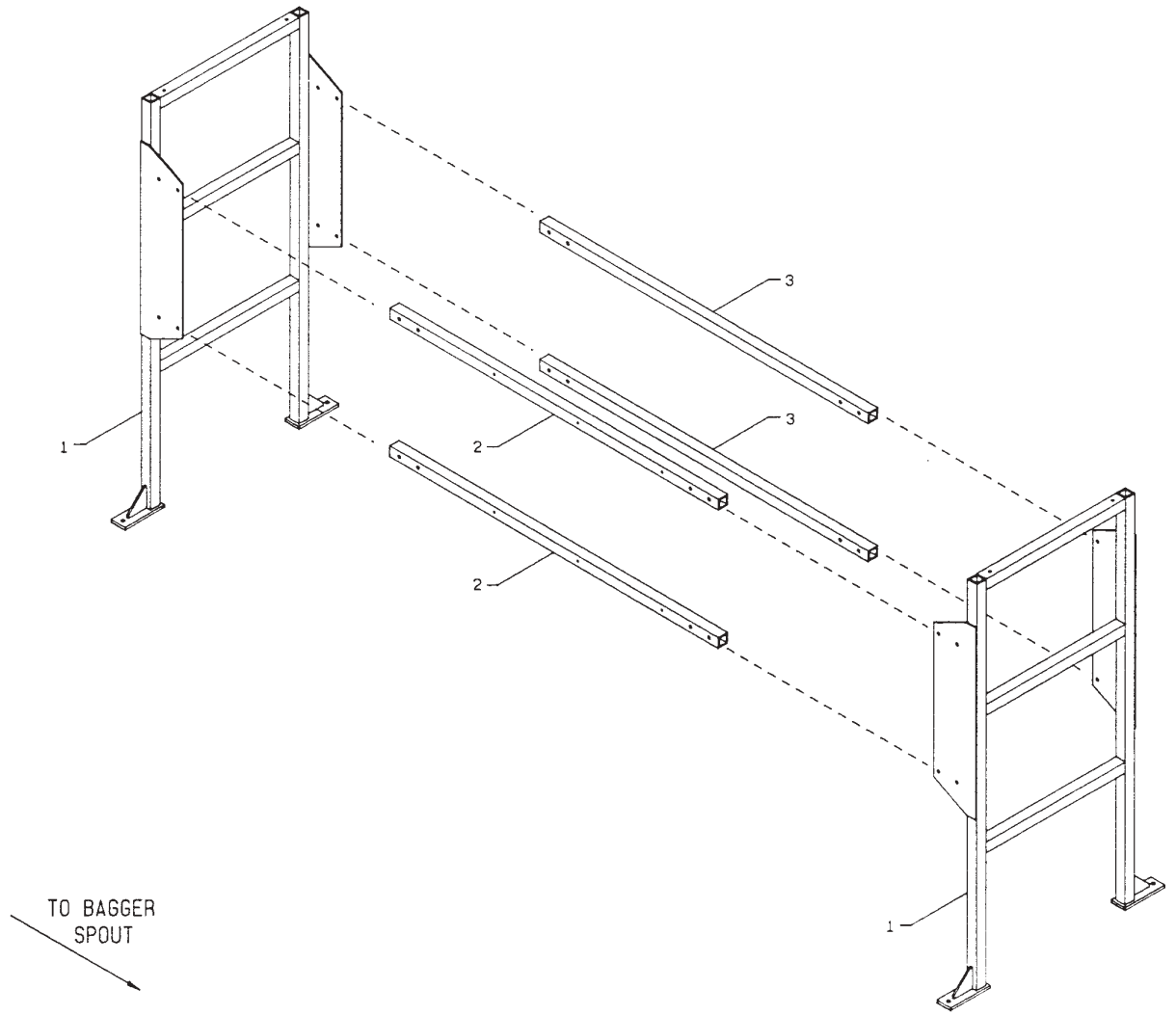
NO.	PART NO.	KEYWORD	DESCRIPTION	NO. REQ'D
1	14978	REGULATOR	FILTER .....	1
2	2097	NIPPLE	1/4 X 3 LONG; GALVANIZED .....	1
3	2487	PLUG	1/8" PIPE .....	4
4	8969	PLUG	PIPE, SQ HD 1/4 NPT .....	5
			.....W/CHOPPER	3
5	14966	VALVE	MANIFOLD .....	1
6	140041	MUFFLER	1/4 NPT MALE FILTER PNEUM. ....	2
7	14965	VALVE	2 POS., SING. SOLENOID .....	1
			.....W/CHOPPER	2
8	14968	VALVE	BLANKING PLATE .....W/O CHOPPER	1
9	14973	FITTING	ST, 3/8T-1/4NPT .....	2
			.....W/CHOPPER	4
10	14853	TUBING	3/8 PNEUMATIC (BY FT.) .....	A/R
11	15231	REDUCER	3/4 TO 1/2 GALV. STEEL .....	1
12	15093	CONNECTOR	1/2 90 DEGREE LIQUID TIGHT .....	1
13	15090	CONDUIT	1/2 LIQUATITE; 12" LONG .....	1
14	15091	CONNECTOR	1/2 STRAIGHT LIQUID TIGHT .....	1
15	92524	SPACER	AIR VALVE .....	4
16	123865	MOUNT	AIR SOLENOID .....	1
17	140053	FITTING	BULKHEAD, 1/4NPT .....	2
18	140054	FITTING	QUICK DISCONNECT 1/4 MALE .....	2
19	123993	MOUNT	FITTING; SPOUT .....	1
20	14967	VALVE	FLOW CONTROL .....W/CHOPPER	1



TO BAGGER  
SPOUT  
↘

10. ELECTRICAL & ACCESS PANELS

NO.	PART NO.	KEYWORD	DESCRIPTION	NO. REQ'D
1	15560	ENCLOSURE	NEMA12 ELECTROMATE DOUBLEDOR . . . . .	1
2	123867	MOUNT	CONTROL BOX . . . . .	1
3	S11295	ASSEMBLY	ACCESS PANEL . . . . .	1
4	123868	BRACKET	CONTROL BOX MOUNT . . . . .	1
5	124044	MOUNT	OPERATION GUIDE DECAL . . . . .	1
--	80184	DECAL	BG01 OPERATION GUIDE . . . . .	1
6	15076	SWITCH	FOOT, WITH PEDAL GUARD . . . . .	1
7	15231	REDUCER	3/4 TO 1/2 GALV. STEEL . . . . .	1
8	15135	CONNECTOR	3/8 NON-METALIC SHEATH CABLE . . . . .	1
9	15112	CORD	16/3 600V . . . . .	A/R
10	15111	PLUG	WHITE LOCKING NYLON ATT. . . . .	1

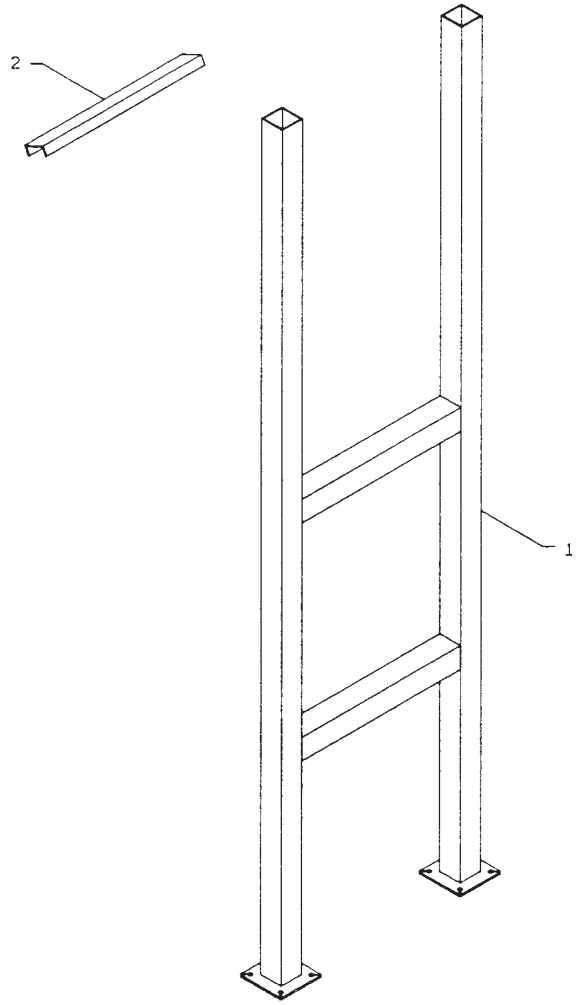


11. STAND ASSEMBLY

NO.	PART NO.	KEYWORD	DESCRIPTION	NO. REQ'D
1	92642	STAND	BAGGER; END .....	2
2	92643	RAIL	STAND SIDE; RIGHT .....	2
3	92644	RAIL	STAND SIDE; LEFT .....	2

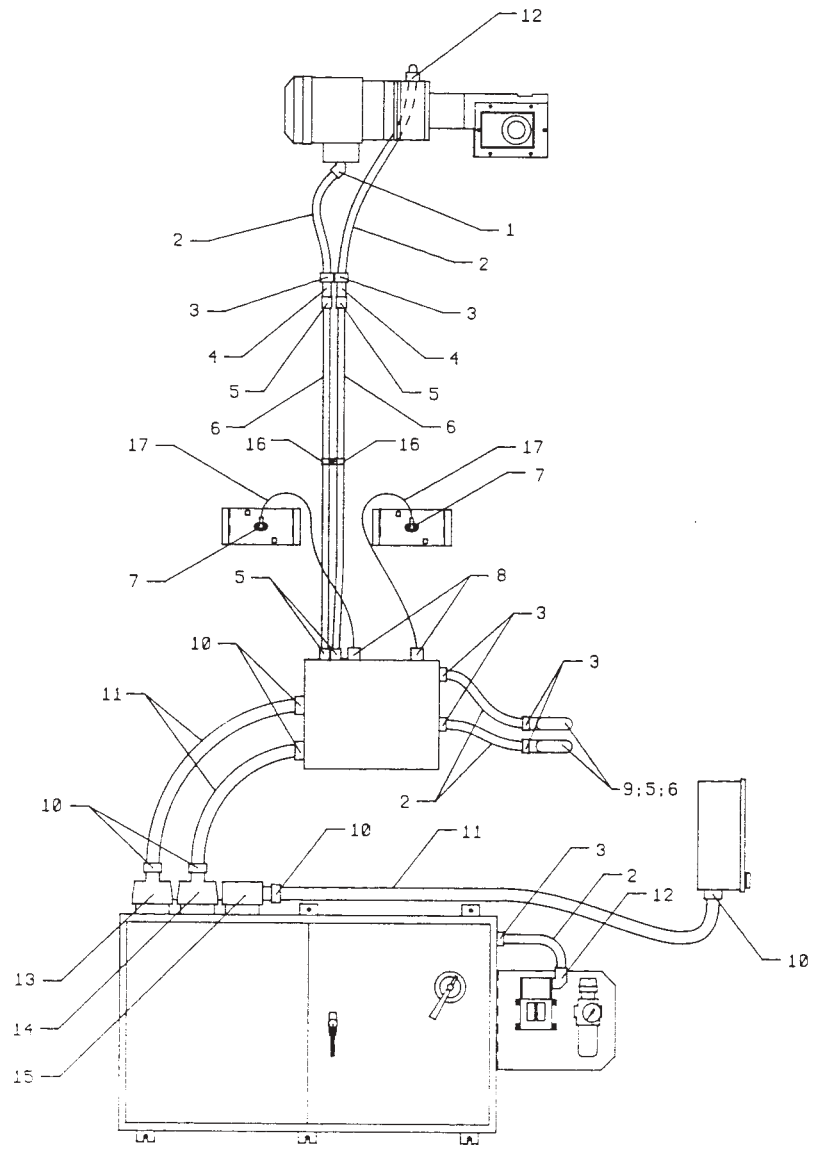


TO BAGGER  
SPOUT



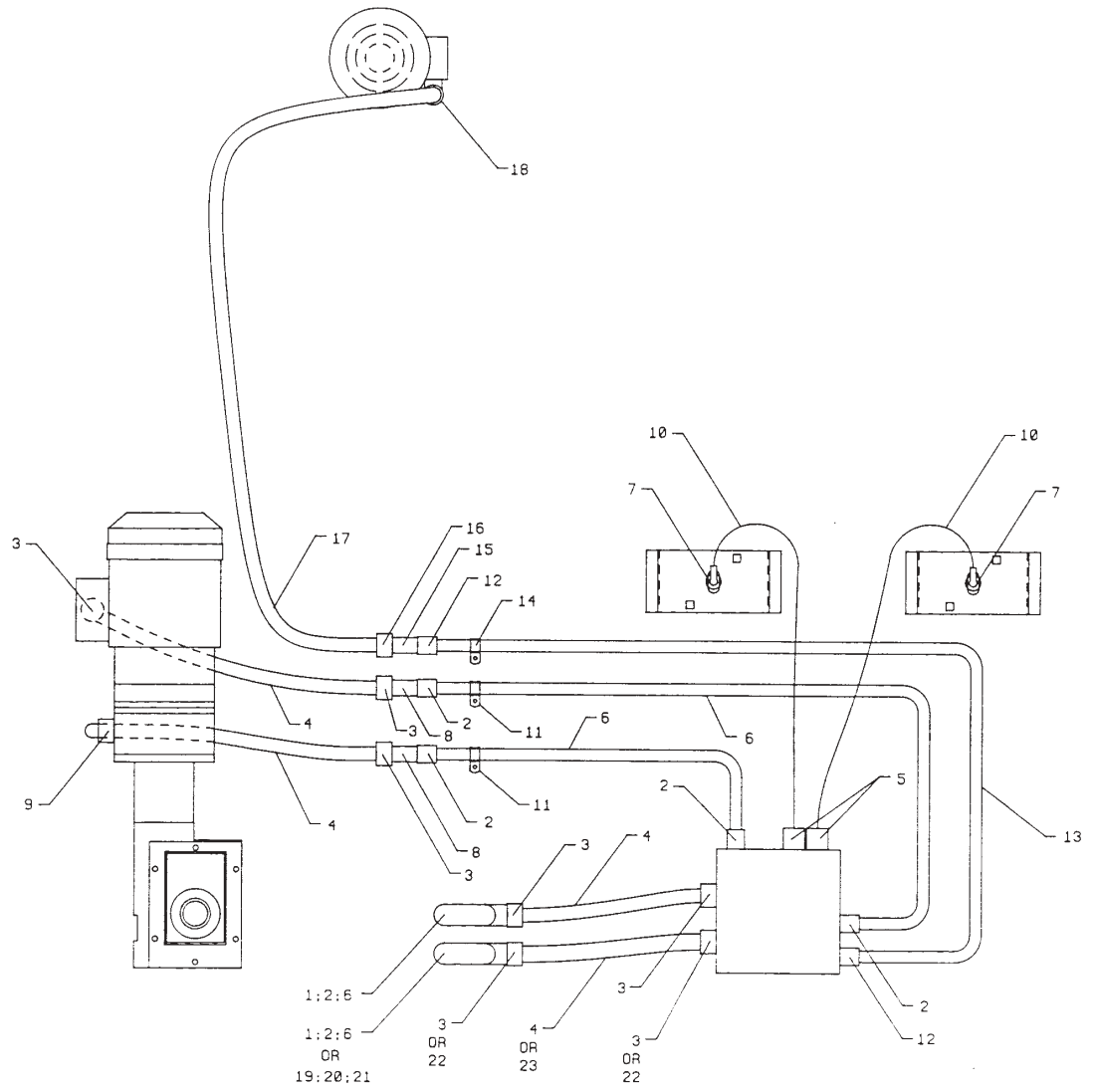
12. 248 CONVEYOR STAND - OPTIONAL

NO.	PART NO.	KEYWORD	DESCRIPTION	NO. REQ'D
1	92645	STAND	248 CONVEYOR .....	1
2	92646	CROSSMEMBR	248 CONVEYOR STAND .....	1



13. RIGHT SIDE CONDUIT DIAGRAM

NO.	PART NO.	KEYWORD	DESCRIPTION	NO. REQ'D
1	15092	CONNECTOR	1/2" 45 DEG. LIQUID TIGHT .....	2
2	15090	CONDUIT	1/2 LIQUATITE .....	A/R
3	15091	CONNECTOR	1/2 STRAIGHT LIQUID TIGHT .....	7
4	2672	COUPLING	1/2" GALV PIPE .....	2
5	15137	CONNECTOR	1/2 EMT THINWALL TIGHT .....	6
6	15233	CONDUIT	1/2 EMT THINWALL .....	A/R
7	15954	EYE	ELEC.REC.10-30VDC W/CONN. ....	2
8	15431	RELIEF	1/2 STRAIGHT HUBBEL STRAIN .....	2
9	16016	FITTING	1/2 EMT LB .....	2
--	16017	FITTING	COVER, 1/2 EMT LB .....	2
--	16018	FITTING	GASKET, 1/2 EMT LB .....	2
10	16092	CONNECTOR	1" STRAIGHT LIQUID TIGHT .....	6
11	16091	CONDUIT	1" LIQUID TIGHT .....	A/R
12	15093	CONNECTOR	1/2 90 DEGREE LIQUID TIGHT .....	2
13	16075	PLUG	ELECTRICAL; 16 PIN .....	1
--	16074	PLUG	HOUSING; STRAIGHT; 16 PIN .....	1
14	16079	PLUG	ELECTRICAL; 24 PIN .....	1
--	16078	PLUG	HOUSING; STRAIGHT; 24 PIN .....	1
15	16079	PLUG	ELECTRICAL; 24 PIN .....	1
--	16080	PLUG	HOUSING; 90 DEG.; 24 PIN .....	1
16	16025	CLAMP	1/2 EMT, SINGLE HOLE .....	2
17	15955	CABLE	QD; RIGHT ANGLE .....	2



14. LEFT SIDE CONDUIT DIAGRAM

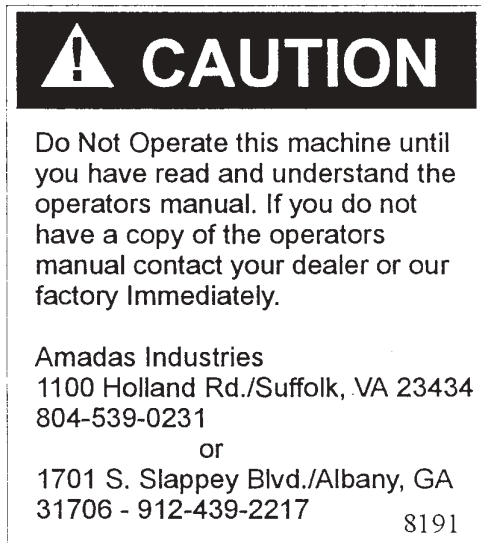
NO.	PART NO.	KEYWORD	DESCRIPTION	NO. REQ'D
1	16016	FITTING	1/2 EMT LB .....	2
--	16017	FITTING	COVER, 1/2 EMT LB .....	2
--	16018	FITTING	GASKET, 1/2 EMT LB .....	2
2	15137	CONNECTOR	1/2 EMT THINWALL TIGHT .....	6
3	15091	CONNECTOR	1/2 STRAIGHT LIQUID TIGHT .....	7
4	15090	CONDUIT	1/2 LIQUATITE .....	A/R
5	15431	RELIEF	1/2 STRAIGHT HUBBEL STRAIN .....	2
6	15233	CONDUIT	1/2 EMT THINWALL .....	A/R
7	15953	EYE	ELEC.EMITT.10-30VDC W/CONN. ....	2
8	2672	COUPLING	1/2" GALV PIPE .....	2
9	15093	CONNECTOR	1/2 90 DEGREE LIQUID TIGHT .....	1
10	15955	CABLE	QD; RIGHT ANGLE .....	2
11	16025	CLAMP	1/2 EMT, SINGLE HOLE .....	2
-----				
ITEMS #12-#18 ARE USED WITH THE OPTIONAL EXHAUST FAN KIT				
12	15137	CONNECTOR	1/2 EMT THINWALL TIGHT .....	2
13	15233	CONDUIT	1/2 EMT THINWALL .....	A/R
14	16025	CLAMP	1/2 EMT, SINGLE HOLE .....	1
15	2672	COUPLING	1/2" GALV PIPE .....	1
16	15091	CONNECTOR	1/2 STRAIGHT LIQUID TIGHT .....	1
17	15090	CONDUIT	1/2 LIQUATITE .....	A/R
18	15093	CONNECTOR	1/2 90 LIQUID TIGHT .....	1
-----				
19	16019	FITTING	3/4 EMT LB .....	A/R
--	16020	FITTING	COVER, 3/4 EMT LB .....	A/R
--	16021	FITTING	GASKET, 3/4 EMT LB .....	A/R
20	15789	CONNECTOR	3/4 EMT STRAIGHT COMPRESSION .....	A/R
21	15234	CONDUIT	3/4 EMT THINWALL .....	A/R
22	15782	CONNECTOR	3/4 STRAIGHT LIQUID TIGHT .....	A/R
23	15781	CONDUIT	3/4 LIQUATITE .....	A/R



1



2



3



4



5

15. DECALS

NO.	PART NO.	KEYWORD	DESCRIPTION	NO. REQ'D
1	8119	DECAL	WARNING: PINCH POINT .....	1
			.....SPOUTS	1
2	8189	DECAL	!SAFETY! READ OP.MANUAL .....	1
			.....SPOUTS	1
3	8191	DECAL	CAUTION: READ OP.MANUAL .....	1
4	8272	DECAL	DANGER: HIGH VOLTAGE .....	3
5	8273	DECAL	DANGER: ELECTICAL HAZARD .....	1

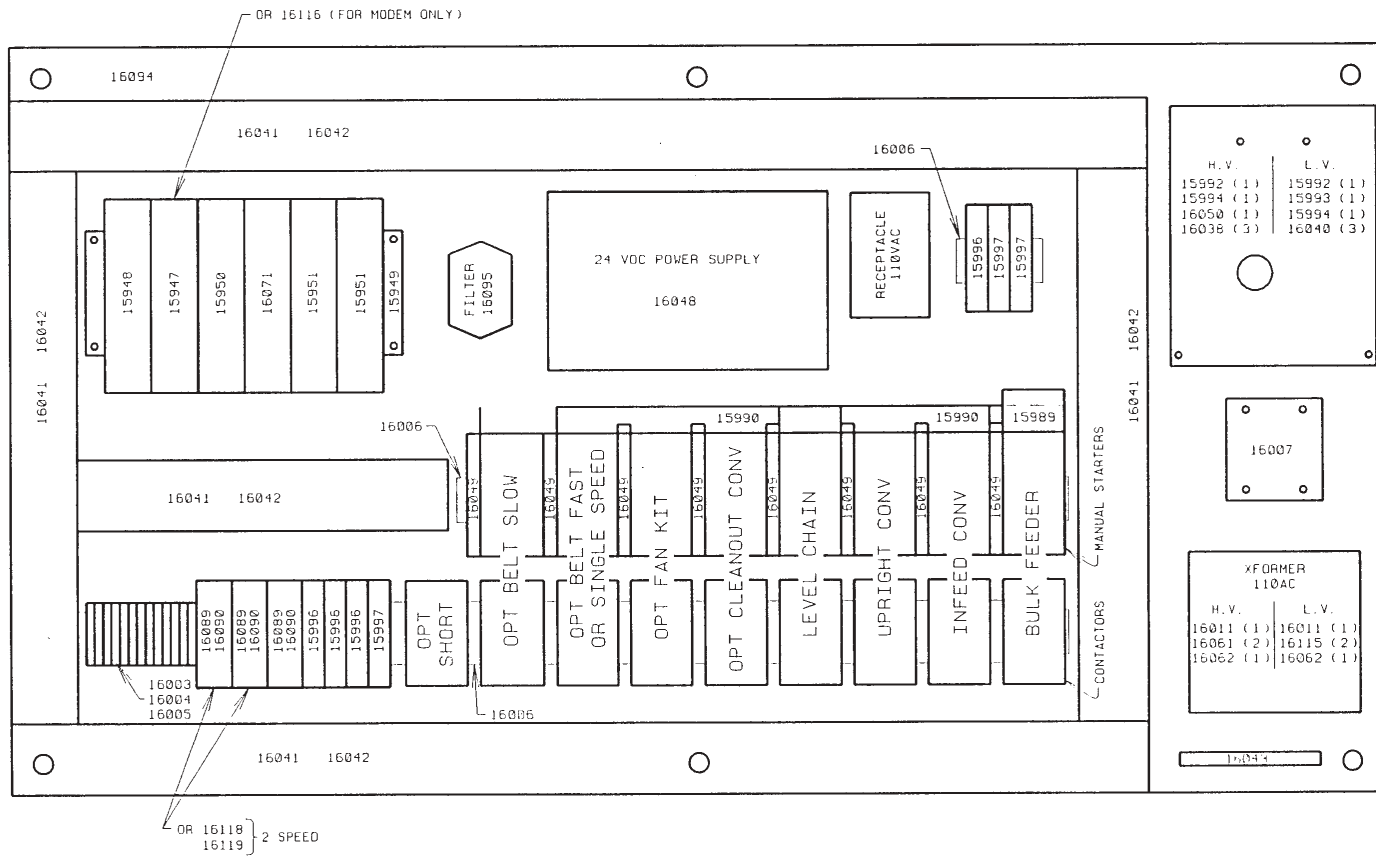
NOTE: THE FOLLOWING DECALS ARE USED BUT  
ARE NOT SHOWN:

--	8397	DECAL	AMADAS; 18" GRAY .....	1
--	8398	DECAL	AMADAS; 36" GRAY .....	2
--	8343	DECAL	AMADAS "AMERICAN MADE" .....	1

REFER TO OPERATOR'S MANUAL OR LOCATION  
OF DECALS & ADDITIONAL SAFETY  
INFORMATION.



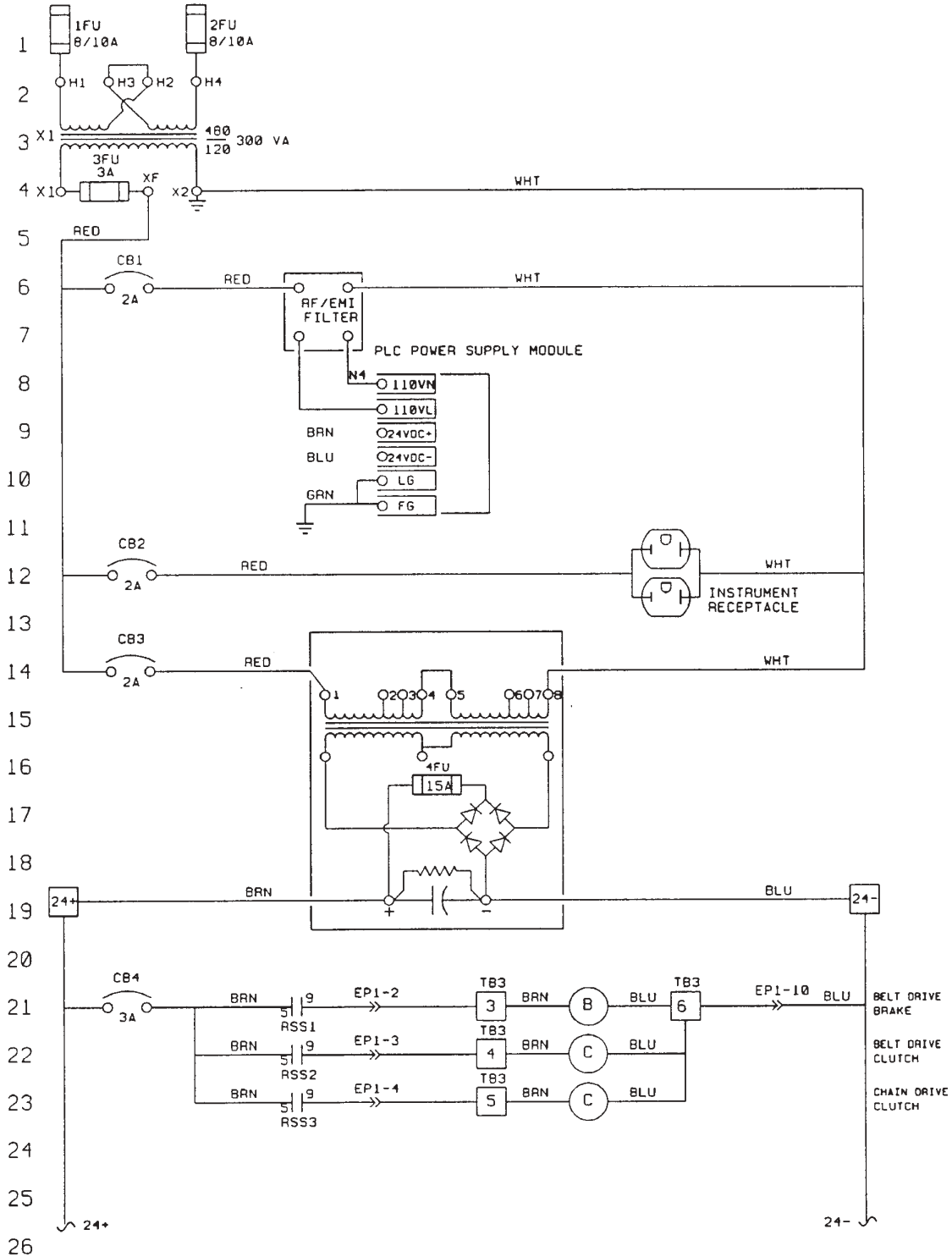
16. BAGGER ELECTRICAL PANEL DIAGRAM



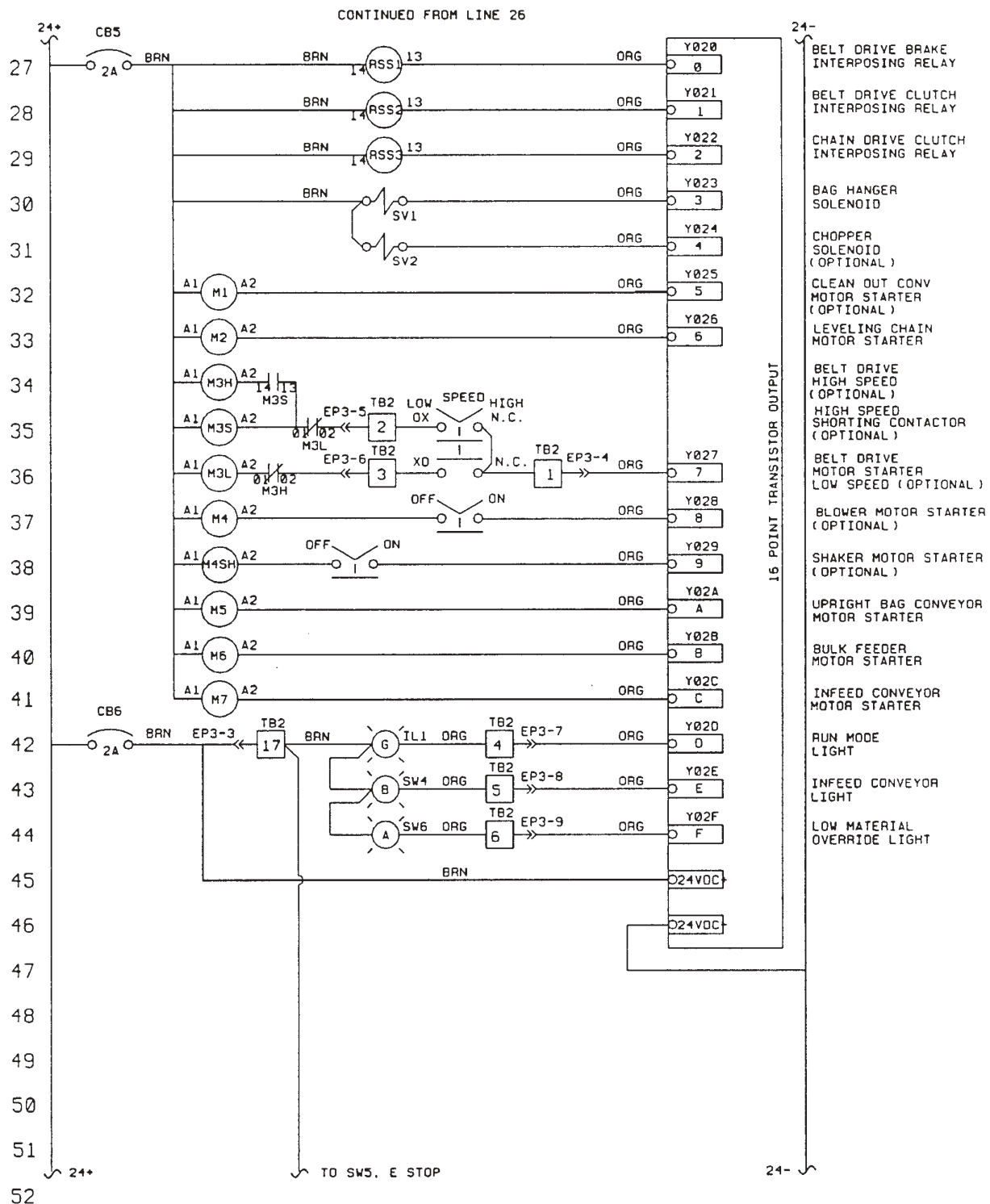
**17. STARTER AND CONTACTOR BREAKDOWN**

DESCRIPTION	HP	460 VOLTS			230 VOLTS			CONTACTOR	AMADAS#
		FLA	MAN STARTER	AMADAS#	FLA	MAN STARTER	AMADAS#		
BULK FEEDER	3	3.6	M08	15982	7.3	M14	15984	D18	15972
INFEEED CONVEYOR	5	6.8	M14	15984	13.6	M20	15986	D18	15972
UPRIGHT BAG CONVEYOR	3/4	1.6	M07	15981	3.2	M08	15982	D12	15971
LEVELING CHAIN	2	3.1	M08	15982	6.2	M14	15984	D12	15971
BELT-SINGLE SPEED	2	3.1	M08	15982	6.2	M14	15984	D12	15971
CLEAN OUT CONVEYOR	1/2	1.1	M06	16008	2.2	M07	15981	D12	15971
FAN KIT	1	1.7	M07	15981	3.4	M08	15982	D12	15971
BELT-2 SPEED	3	3.6	M08	15982	7.3	M14	15984	D12	15971
-SHORT CONTACT	1.5	1.8	M07	15981	3.6	M08	15982	D12	15971
ONE OF A AMADAS# 16049 (FAULT/AUX CONTACT) IS NEEDED WITH EACH MANUAL STARTER									

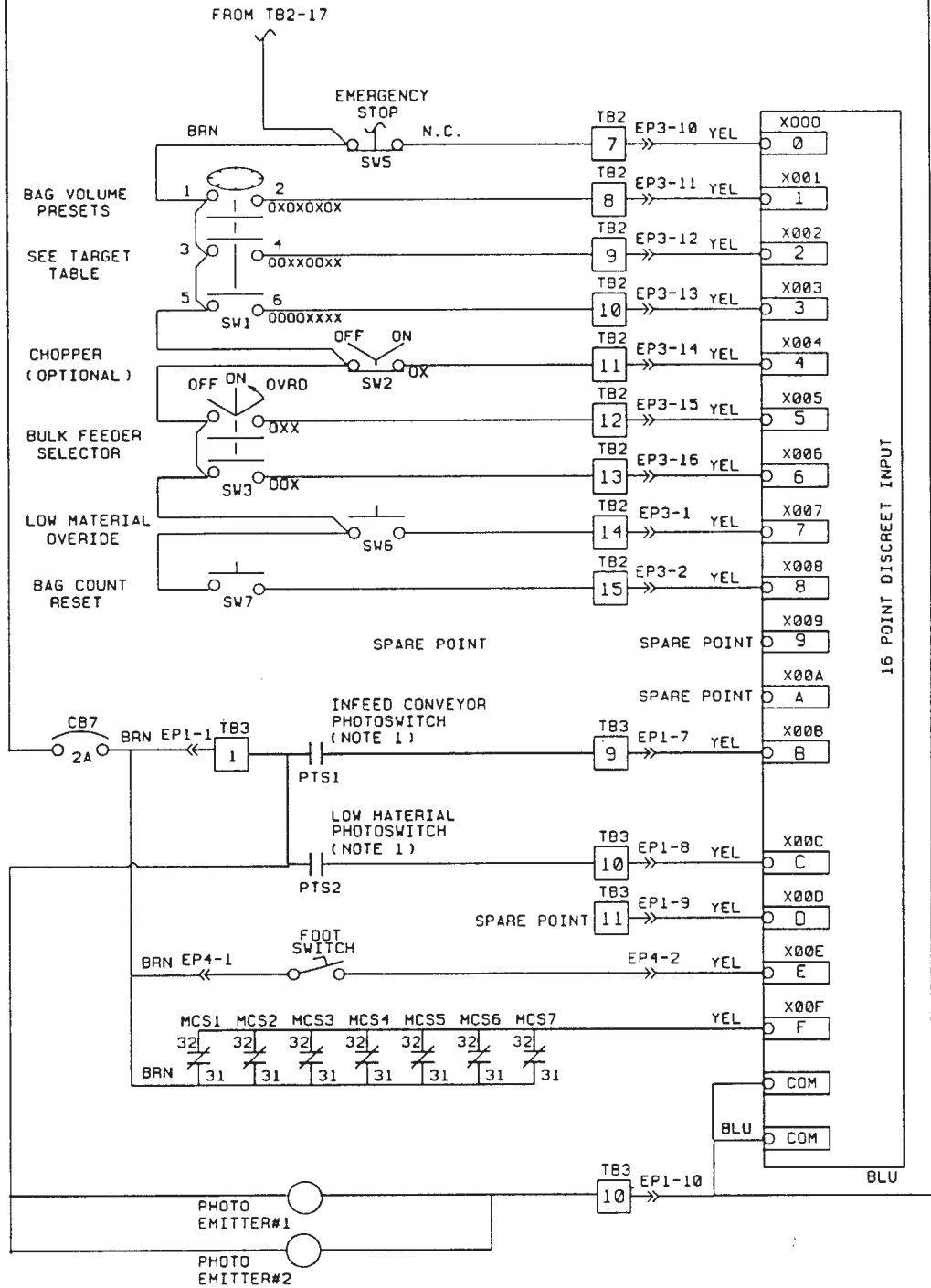
18. CONTROL LADDER DIAGRAMS



CONTINUED ON LINE 27



53  
54  
55  
56  
57  
58  
59  
60  
61  
62  
63  
64  
65  
66  
67  
68  
69  
70  
71  
72  
73  
74  
75  
76  
77  
78



NOTE 1  
FOR COMPLETE PHOTOSWITCH WIRING DIAGRAM  
REFER TO MANUFACTURERS LITERATURE

CONDUCTOR COLOR CODE

MARK	COLOR	DESCRIPTION
BLK	BLACK	480VAC PHASE (HOT) CONDUCTOR
RED	RED	120VAC PHASE (HOT) CONDUCTOR
WHT	WHITE	120VAC GROUNDED (NEUTRAL) CONDUCTOR
GRN	GREEN	GROUNING CONDUCTOR
YEL	YELLOW	24VDC PLC INPUT
ORG	ORANGE	24VDC PLC OUTPUT
BLU	BLUE	24VDC NEGATIVE (-) CONDUCTOR
BRN	BROWN	24VDC POSITIVE (+) CONDUCTOR

TERMINAL BLOCKS

MARK LOCATION

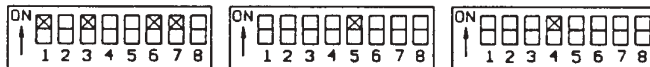
TB1	MOTOR CONTROL PANEL
TB2	OPERATOR INTERFACE PANEL
TB3	MACHINE POWER & CONTROL DISTRIBUTION PANEL- CONTROL
TB4	MACHINE POWER & CONTROL DISTRIBUTION PANEL - POWER

INTERCONNECTING PLUGS

MARK CONNECTS MOTOR CONTROL PANEL TO:

EP1	MACHINE POWER & CONTROL DISTRIBUTION PANEL, CONTROL WIRING
EP2	MACHINE POWER & CONTROL DISTRIBUTION PANEL, POWER WIRING
EP3	OPERATOR INTERFACE PANEL
EP4	FOOT SWITCH

QUARTECH INTERFACE PANEL  
DIP SWITCH SETTINGS



QUARTECH INTERFACE PANEL  
CABLE PIN OUTS

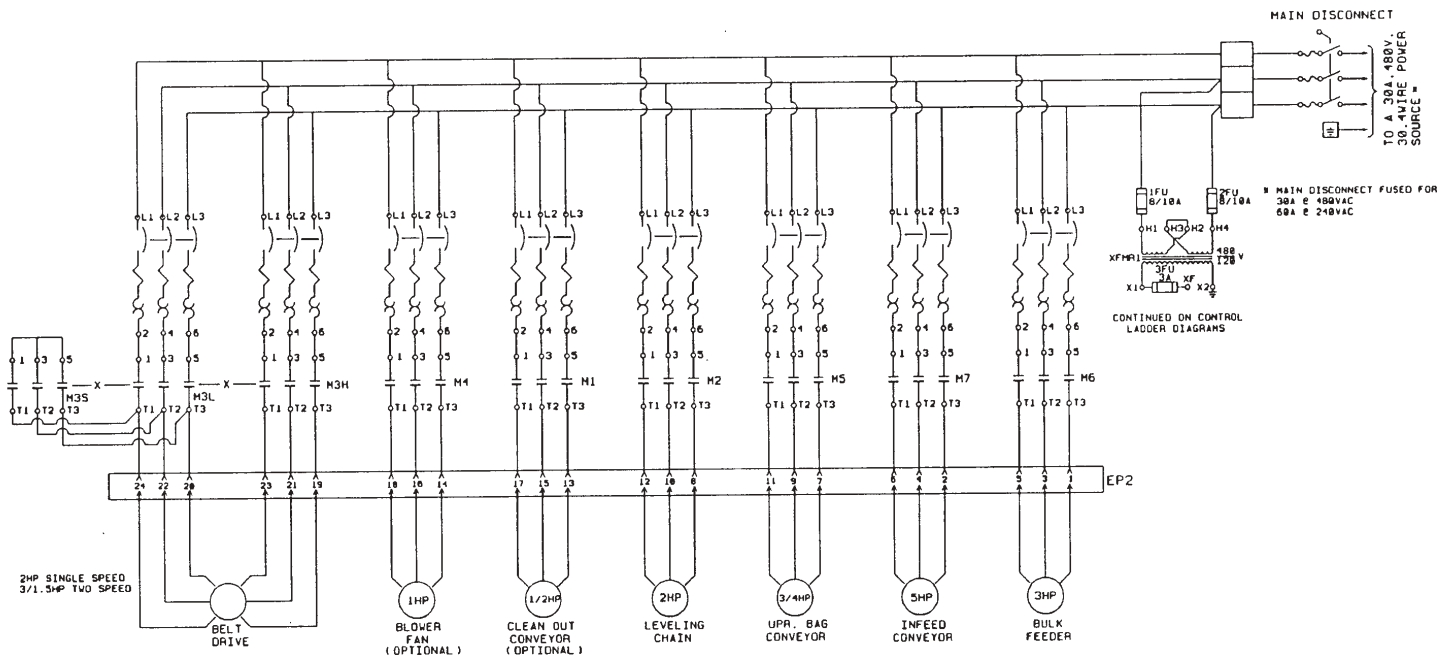
EP3	TB2
17 YELLOW	18 BROWN
18 BROWN	19 BLUE
19 BLUE	20 GREEN
20 GREEN	21 RED
21 RED	22 BLACK
22 BLACK	23 ORANGE
23 ORANGE	24 WHITE
24 WHITE	25 YELLOW

	1	2	3	4	5	6	7	8
x001		X		X		X		X
x002			X	X			X	X
x003					X	X	X	X

AN X INDICATES THAT INPUT "ON"  
WHEN IN THAT SWITCH POSITION

19. BAGGER POWER DISTRIBUTION DIAGRAM

PAGE 38



NUMERICAL PARTS INDEX

PART NO.	PAGE	PART NO.	PAGE	PART NO.	PAGE
G102889	5	123869	9	15161	3,07
G120396	5	123870	9	15231	19,21
G128001	5	123993	3,19	15233	27,29
G9429151	5	124012	11	15234	29
S11295	21	124013	11	15431	27,29
10127	5	124014	11	15560	21
10287	13	124015	11	15767	3
10288	13	124016	5	15781	29
10588	7	124022	3,13	15782	29
10589	3	124023	3	15789	29
11287	7	124024	13	15797	3
11293	3	124025	17	15798	3
11294	3	124027	17	15953	5,29
11301	3	124028	7,17	15954	5,27
11302	7	124030	11	15955	27,29
11309	3	124031	11	16016	27,29
11310	3	124032	11	16017	27,29
11319	13	124033	11	16018	27,29
11322	13	124037	11	16019	29
11323	3,07	124044	21	16020	29
120089	3	13681	11	16021	29
123812	7	13686	15	16025	27,29
123813	7	140041	19	16027	3
123814	9	140052	11,15	16028	3
123815	9	140053	19	16074	27
123816	9	140054	19	16075	27
123817	9	140055	11	16078	27
123818	9	140056	11	16079	27
123819	3	140057	11	16080	27
123820	3	140058	11	16091	27
123821	5	140059	11	16092	27
123822	5	140134	11	16107	17
123823	3	140135	11	20506	17
123824	5	140163	15	2097	19
123825	7	140164	15	2414	3
123826	7	140165	15	2487	19
123827	5	14853	11,15,19	2672	27,29
123828	5	14965	19	3005	13
123829	3	14966	19	3011	3
123830	7	14967	19	3015	13
123834	13	14968	19	3030	13,15
123835	13	14973	19	3080	3,07
123836	13	14974	11	3091GB	7
123845	9	14975	11,15	3093	13
123846	3	14977	11	3095	15
123847	3	14978	19	3096	13
123848	13	15076	21	3098	7
123859	13	15090	19,27,29	3165	15
123860	3	15091	19,27,29	4042-72	13
123861	13	15092	27	4044	5
123863	13	15093	19,27,29	4140-78	13
123864	9	15111	21	4158-1525	3
123865	19	15112	21	4283EP	3,07
123866	7	15135	21	4296	3
123867	21	15137	27,29	4454-92	7
123868	21	15156	13	4531	5



NUMERICAL PARTS INDEX

PART NO.	PAGE	PART NO.	PAGE	PART NO.	PAGE
4612	3	92501	3		
4613	3	92502	3		
4682	7	92503	3		
4683	13	92504	3		
4685	5	92516	3		
4804	7	92517	7		
4819	17	92520	3		
51170	7	92524	19		
51176	13	92642	23		
51203	11	92643	23		
5121	5	92644	23		
51214	3	92645	25		
51219	3	92646	25		
51247	3	92700	17		
51251	3	92703	3		
51260	17				
5139	13				
5170	13				
5172	13				
5338	5				
60048	5				
60084	5				
60444	5				
60449	7				
60469	13				
61273	3				
61278	13				
61280	3				
61281	3				
61317	5				
61318	15				
61319	15				
61320	15				
6247	5				
6545	7				
6612	13				
6613	13				
6615	13				
6677	3, 07				
6859	3				
80168	9				
80181	17				
80182	17				
80183	17				
80184	21				
8119	31				
8189	31				
8191	31				
8272	31				
8273	31				
8343	31				
8397	31				
8398	31				
8969	19				
92486	5				
92490	7				

# WARRANTY

## For AMADAS INDUSTRIES Industrial Machinery

### A. General Provisions

AMADAS INDUSTRIES ("Company") warrants that each machine manufactured by it and sold under its trademark shall be free from defects in material and workmanship. The company's sole obligation under this warranty shall be limited to making good, F.O.B. Company factory, any part of its product which under normal and proper use and maintenance proves defective in material and workmanship within six months after delivery to the Buyer provided that notice of such defect and satisfactory proof thereof is promptly given by the Buyer to the Company, with transportation charges prepaid, and Company's examination proves such part to have been defective.

This warranty does not apply in respect to damage to any product or accessory or attachment thereof caused by overloading or other misuse, neglect or accident nor does this warranty apply to any product, or accessory or attachment thereof which shall have been repaired or altered by other than the Company which, in the sole judgement of the Company affects the performance, stability or purpose for which it was manufactured.

With respect to tires, engines, or other trade accessories, the Company makes no warranty whatsoever and the buyer shall rely solely upon the existing warranties, if any, of the respective manufacturers thereof.

### B. Unapproved Service or Modification

All obligations of AMADAS INDUSTRIES under this warranty are terminated if the machinery is modified or altered in ways not approved by AMADAS INDUSTRIES

### C. Owner's Responsibilities

- a. Read the operator's manual before operating the machinery.
- b. Perform all necessary maintenance as described in the operators's manual.
- c. Contact AMADAS INDUSTRIES promptly on any warranty claim.
- d. Sign the AMADAS INDUSTRIES machine delivery form and return promptly as this validates the warranty.

### D. Disclaimer

There are no warranties that extend beyond the description here. **ANY WARRANTIES OF MERCHANTABILITY AND FITNESS FOR ANY PARTICULAR PURPOSE ARE SPECIFICALLY DISCLAIMED AS ARE ALL OTHER REPRESENTATIONS TO THE PURCHASER.** AMADAS INDUSTRIES specifically excludes any liability on behalf of the Company for any incidental or consequential damages including, but not limited to loss of profits, rental of substitute equipment, or other commercial losses. AMADAS INDUSTRIES shall not be responsible for expenses or inconvenience that you might incur or experience with respect to any AMADAS INDUSTRIES Industrial Machinery, nor shall AMADAS INDUSTRIES be liable for defects, damage, or failure caused by improper storage, unreasonable use, or abuse, or accident, including the failure to provide reasonable and specified maintenance. This warranty applies only to the original purchaser of the machinery. Because some states do not allow the exclusion of limitation of incidental or consequential damages, the above limitation may not apply to you. This warranty gives you specific legal rights. You may also have other rights, which vary from state to state. Where there is a conflict between a provision of this warranty and the provision of any state, the state legislation prevails.

**AMADAS**  
INDUSTRIES