

DSC 72x13 C & D DISC SEPARATOR

1st Edition, CAT219
Beginning Serial # 390209

Owner's Name _____
Dealer's Name _____
Serial Number _____ **Model No.** _____
Date Purchased _____

TABLE OF CONTENTS

CAT219
1st Edition
January 15, 2001

DCS 72x13 C & D Disc Separator

Section	Page
1 Specifications.....	2
2 Rotors and Drives.....	4
3 Structural Framing.....	6
4 Liners.....	8
5 Shields (Right).....	10
6 Shields (Left).....	12
7 Decals.....	13
Warranty	

NOTES

The Terms "Left" and "Right" used in the description of parts are determined by facing the direction of flow of material through the machine.

"A/R" found in the "No. Req'd" column denotes "As Required".

"OPT" found in the "No. Req'd" column denotes "Optional".

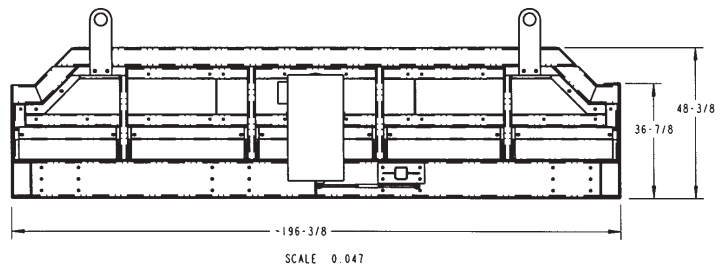
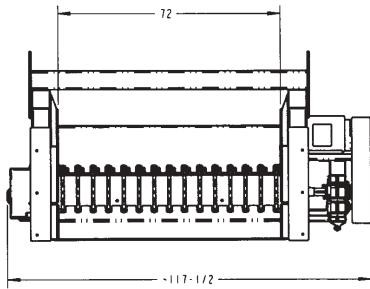
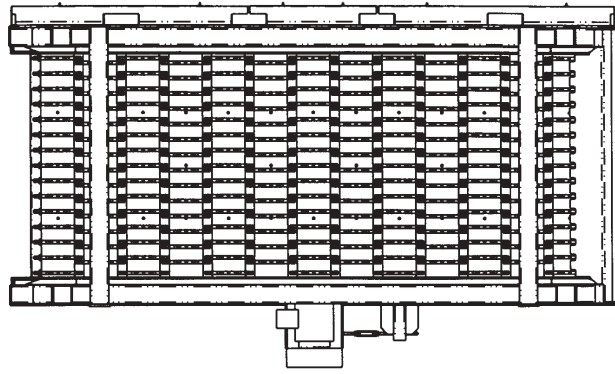
1100 Holland Road Suffolk, VA 23434 U.S.A.
(757) 539-0231 / Fax - (757) 934-3264

1701 S. Slappey Blvd./P.O. Box 3687 Albany, GA 31706
(229) 439-2217 / Fax (229) 439-9343

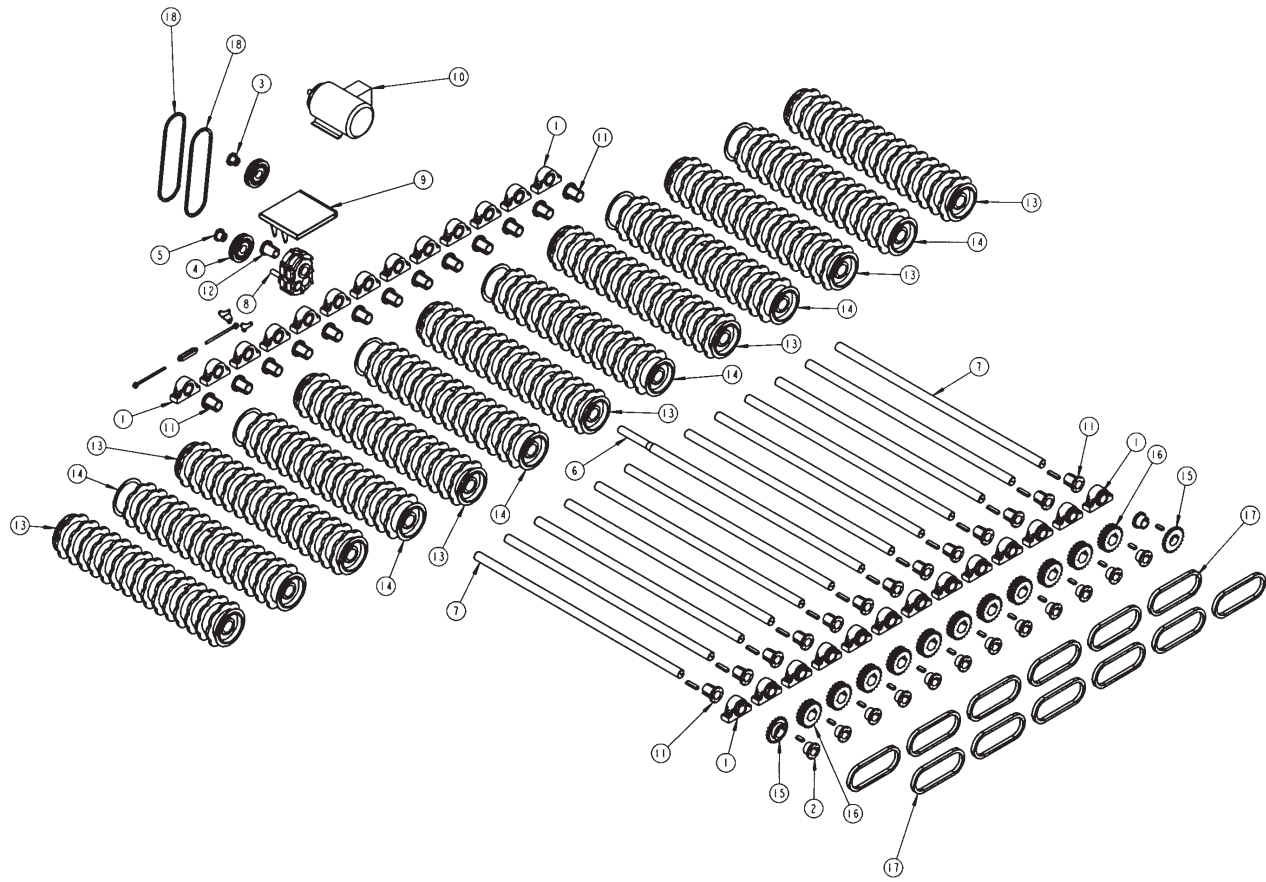
A M A D A S
INDUSTRIES

SPECIFICATIONS FOR C&D DISC SEPARATOR

Working width and length.....72 X 192
Horse power.....15hp
IFO.....3 X 2-1/2
Weight.....~ 23,000 lb.



PAGE 03

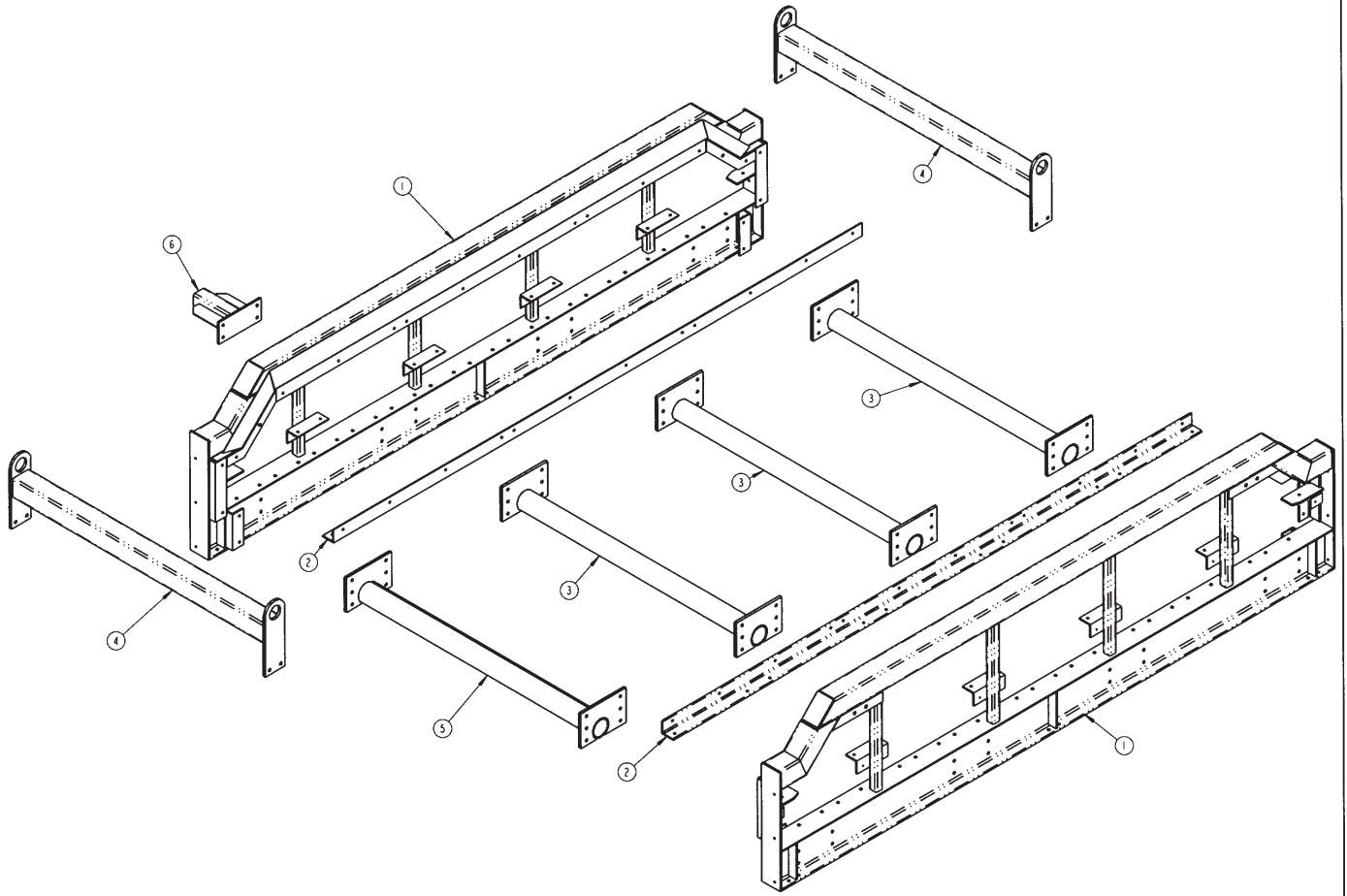


SECTION TITLE: DSC72X13 ROTORS AND DRIVES	SAVED AS: DSC72-1	MODEL: DSC72X13_ROTORS_DRIVES	SCALE: 0.047	STL: 01-Dec-00
		SIMP. REP: DSC72X13 ROTORS AND DRIVES		

SHEET 1 OF 2

DSC72X13 ROTORS AND DRIVES

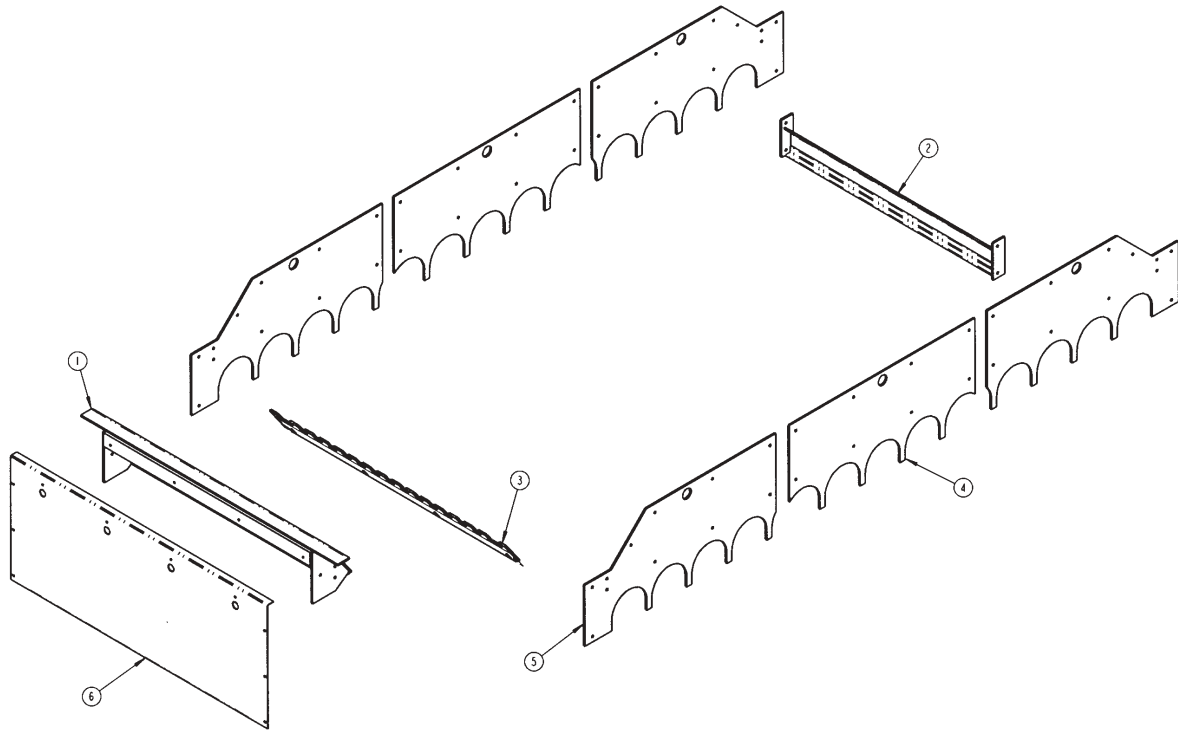
ITEM	PART NUMBER	DESCRIPTION	QTY SHOWN	QTY REQ'D	COMMENTS
1	3246	BEARING, 2-15/16 PILLOW BLOCK	26		
2	5662	BUSHING, R1 2-15/16	13		
3	5664	BUSHING, O1 1-5/8	1		
4	5665	SHEAVE, 2TB90	2		
5	5914	BUSHING, O1 1-7/16	1		
6	10800	SHAFT, DSC72X13 MAIN DRIVE ROTOR	1		
7	10801	SHAFT, DSC72X13 ROTOR	12		
8	11312	GEARBOX, TXT425 DODGE	1		
9	11315	MOUNT, TA4M DODGE MOTOR	1		
10	16872	MOTOR, TOSHIBA 15HP HIGH EFF	1		
11	20392	BUSHING, R1 2-15/16	26		
12	51243	BUSHING, DODGE 2-7/16	1		
13	61688	ROTOR, DSC72X13 DISC SEPERATOR	7		
14	61689	ROTOR, DSC72X13 DISC SEPERATOR	6		
15	100R21	SPROCKET, 100R21	2		
16	100R21DS	SPROCKET, 100R21DS	11		
17	4456-43	CHAIN, NO. 100; 41 PITCHES+CONN. +OFF.	12		
18	B76	BELT, B76	2		



FRAMING, DSC72X13 STRUCTURAL	SAVED AS: DSC72-3	MODEL: DSC72X13_STRUCTURAL_FRAMING	SCALE: 0.063	STL: 07-Dec-00
SECTION TITLE: DSC72X13 STRUCTURAL FRAMING		SIMP. REP: DSC72X13 STRUCTURAL FRAMING		

DSC72X13 STRUCTURAL FRAMING

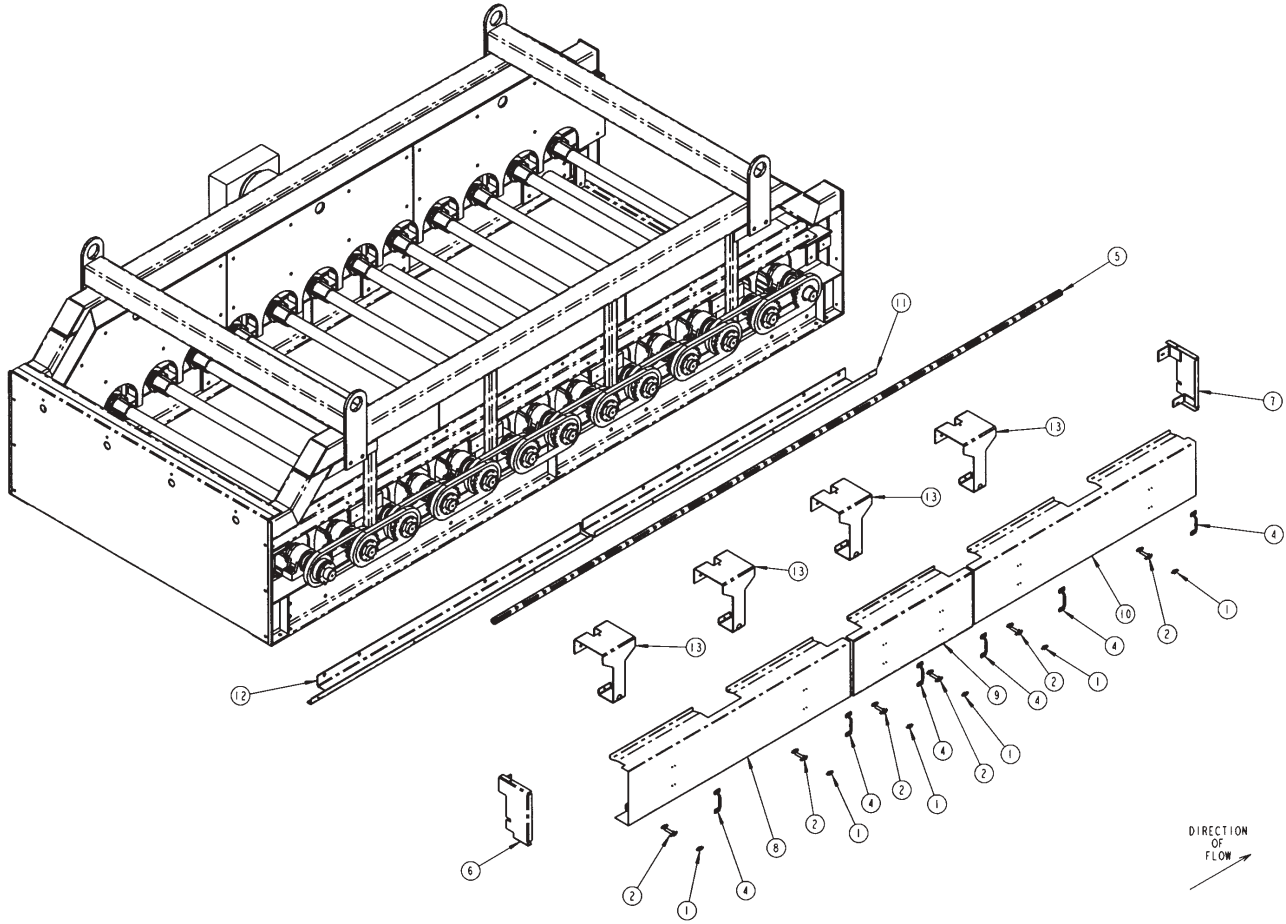
ITEM	PART NUMBER	DESCRIPTION	QTY SHOWN	QTY REQ'D	COMMENTS
1	93551	FRAME, DSC72X13 SIDE	2		
2	93552	ANGLE, LINER SUPPORT	2		
3	93554	BRACE, DSC72X13 LOWER CROSS	3		
4	93560	FRAME, DSC72X13 LIFTING	2		
5	93563	BRACE, LOWER CROSS W/FINGER MT'G	1		
6	93574	MOUNT, TORQUE ARM	1		



LINERS_DSC72X13	SAVED AS: DSC72-2	MODEL: DSC72X13.LINERS	SCALE: 0.063	STL: 07-Dec-00
SECTION TITLE: DSC72X13 LINERS		SIMP: REP: DSC72X13 LINERS		

DSC72X13 LINERS

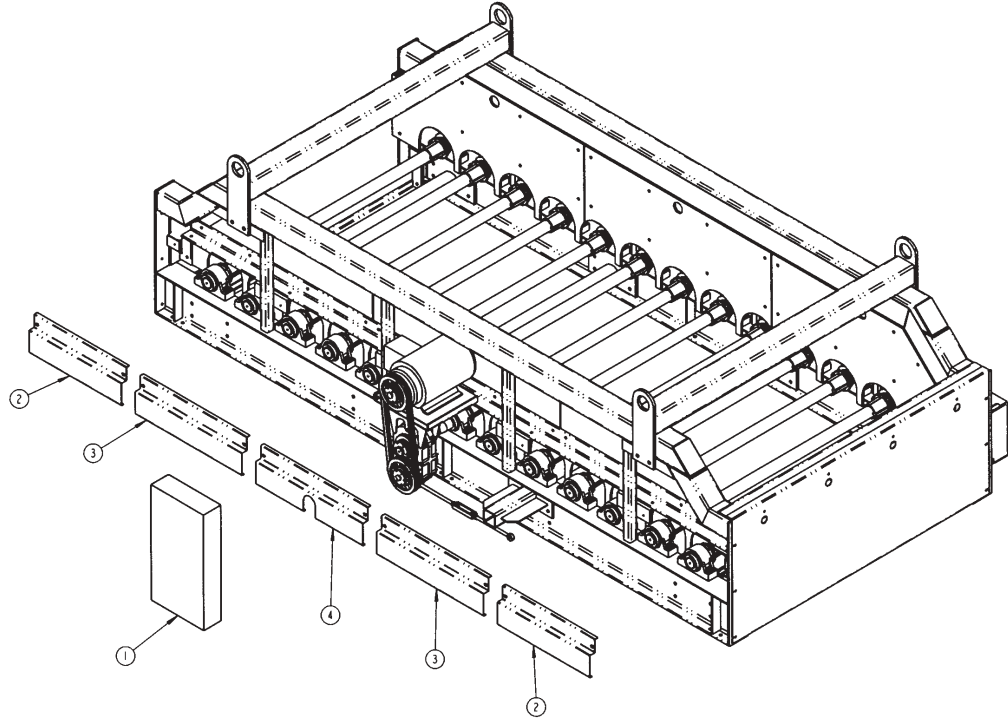
ITEM	PART NUMBER	DESCRIPTION	QTY SHOWN	QTY REQ'D	COMMENTS
1	93561	FRAME,DSC72X13 DIRT SLIDE	1		
2	93562	FRAME,DSC72X13 DISCHARGE SLIDE	1		
3	93564	PLATE,DSC72X13 FINGER	1		
4	127082	LINER,DSC72X13 MIDDLE	2		
5	127083	LINER,DSC72X13 END	4		
6	127093	PANEL,DSC72X13 REAR	1		



SEPARATOR, 12 X 13 DISC	SAVED AS: DSC72-4	MODEL: DSC72X13	SCALE: 0.063	LWH:08-Dec-00
SECTION TITLE: DSC72X13 SHIELDS		SIMP. REP:		

DSC72X13 SHIELDS

ITEM	PART NUMBER	DESCRIPTION	QTY SHOWN	QTY REQ'D	COMMENTS
1	7023	CATCH, HOOK	6		
2	7024	HOOK, SPRING LOADED; 90 DEGREE	6		
3	80187	GUARD, BELT	1		
4	80210	HANDLE, BOLT ON	6		
5	93569	MOUNT, UPPER SHIELD	1		
6	93570	END, SHIELD; FRONT	1		
7	93571	END, SHIELD; REAR	1		
8	127095	SHIELD, BEARING OUTER; FRONT	1		
9	127096	SHIELD, BEARING OUTER; MIDDLE	1		
10	127097	SHIELD, BEARING OUTER; FRONT	1		
11	127101	MOUNT, SHIELD; LOWER	1		
12	127102	MOUNT, SHIELD; LOWER	1		
13	127106	BRACKET, SHIELD	4		
14	127107	PANEL, BEARING	2		
15	127108	PANEL, BEARING	2		
16	127109	PANEL, BEARING	1		



SEPARATOR, 72 X 13 DISC	SAVED AS: DSC72-4	MODEL: DSC72X13	SCALE: 0.063	STL: 13-Dec-00
SECTION TITLE: DSC72X13 SHIELDS		SIMP. REP: SEPARATOR, 72 X 13 DISC		

DSC72X13 SHIELDS (LEFT)

ITEM	PART NUMBER	DESCRIPTION	QTY SHOWN	QTY REQ'D	COMMENTS
1	80187	GUARD,BELT	1		
2	127107	PANEL,BEARING	2		
3	127108	PANEL,BEARING	2		
4	127109	PANEL,BEARING	1		

DANGER

While in Operation, Do Not Climb on Machinery. Do Not Place Hands Behind Shields.

8178

1

CAUTION

Do Not Operate unless all Safety Shields & Guards are in place.

8188

2

CAUTION

- 1) Keep all shields in place while Machinery is in Operation.
- 2) Disengage Power before proceeding to adjust, lubricate, clean, unclog or otherwise work on machine unless unless specifically recommended in the Operator's Manual.
- 3) Wait for all motion to stop before servicing this machine
- 4) Keep Hands, Feet, and Clothing away from moving parts.
- 5) Keep off Equipment unless seat or platform for operation is provided.
- 6) Keep all others off.
- 7) Make certain everyone is clear of machine before starting.

8190

3

CAUTION

Do Not Operate this machine until you have read and understand the operators manual. If you do not have a copy of the operators manual contact your dealer or our factory Immediately.

Amadas Industries
1100 Holland Rd./Suffolk, VA 23434
757-539-0231
or
1701 S. Slappey Blvd./Albany, GA
31706 - 229-439-2217

8191

4

WARRANTY

For AMADAS INDUSTRIES Industrial Machinery

A. General Provisions

AMADAS INDUSTRIES ("Company") warrants that each machine manufactured by it and sold under its trademark shall be free from defects in material and workmanship. The company's sole obligation under this warranty shall be limited to making good, F.O.B. Company factory, any part of its product which under normal and proper use and maintenance proves defective in material and workmanship within six months after delivery to the Buyer provided that notice of such defect and satisfactory proof thereof is promptly given by the Buyer to the Company, with transportation charges prepaid, and Company's examination proves such part to have been defective.

This warranty does not apply in respect to damage to any product or accessory or attachment thereof caused by overloading or other misuse, neglect or accident nor does this warranty apply to any product, or accessory or attachment thereof which shall have been repaired or altered by other than the Company which, in the sole judgement of the Company affects the performance, stability or purpose for which it was manufactured.

With respect to tires, engines, or other trade accessories, the Company makes no warranty whatsoever and the buyer shall rely solely upon the existing warranties, if any, of the respective manufacturers thereof.

B. Unapproved Service or Modification

All obligations of AMADAS INDUSTRIES under this warranty are terminated if the machinery is modified or altered in ways not approved by AMADAS INDUSTRIES

C. Owner's Responsibilities

- a. Read the operator's manual before operating the machinery.
- b. Perform all necessary maintenance as described in the operators's manual.
- c. Contact AMADAS INDUSTRIES promptly on any warranty claim.
- d. Sign the AMADAS INDUSTRIES machine delivery form and return promptly as this validates the warranty.

D. Disclaimer

There are no warranties that extend beyond the description here. **ANY WARRANTIES OF MERCHANTABILITY AND FITNESS FOR ANY PARTICULAR PURPOSE ARE SPECIFICALLY DISCLAIMED AS ARE ALL OTHER REPRESENTATIONS TO THE PURCHASER.** AMADAS INDUSTRIES specifically excludes any liability on behalf of the Company for any incidental or consequential damages including, but not limited to loss of profits, rental of substitute equipment, or other commercial losses. AMADAS INDUSTRIES shall not be responsible for expenses or inconvenience that you might incur or experience with respect to any AMADAS INDUSTRIES Industrial Machinery, nor shall AMADAS INDUSTRIES be liable for defects, damage, or failure caused by improper storage, unreasonable use, or abuse, or accident, including the failure to provide reasonable and specified maintenance. This warranty applies only to the original purchaser of the machinery. Because some states do not allow the exclusion of limitation of incidental or consequential damages, the above limitation may not apply to you. This warranty gives you specific legal rights. You may also have other rights, which vary from state to state. Where there is a conflict between a provision of this warranty and the provision of any state, the state legislation prevails.

AMADAS
INDUSTRIES