

June 15, 2010

FBTC 3607
Flat Belt Turning
Conveyor

CAT444 2nd EDITION
Beginning Serial # 480000

Owner's Name

Dealer's Name

Serial Number

Date Purchased

Model No.

TABLE OF CONTENTS

CAT444
2nd Edition
June 15, 2010

FBTC 3607 Flat Belt Turning Conveyor

Section	Page
1 FBTC3607 Assembly.....	3
2 Conveyor Kit.....	5
3 Roller Kit.....	7
4 Leg Kit.....	9
5 Numerical Parts Index.....	10
Warranty	

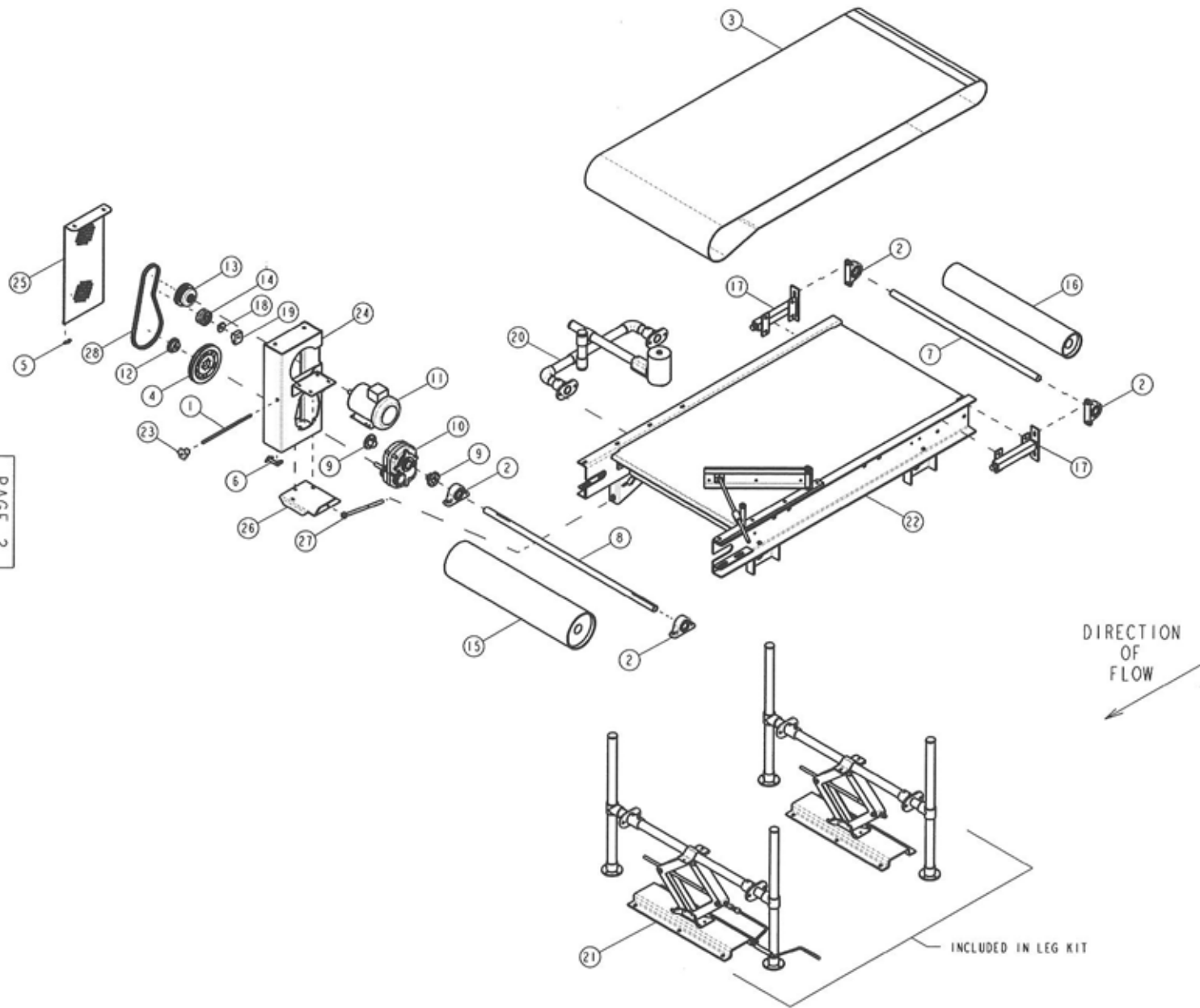
NOTES

The Terms "Left" and "Right" used in the description of parts are determined by facing the direction of flow of material through the machine.

"A/R" found in the "No. Req'd" column denotes "As Required".

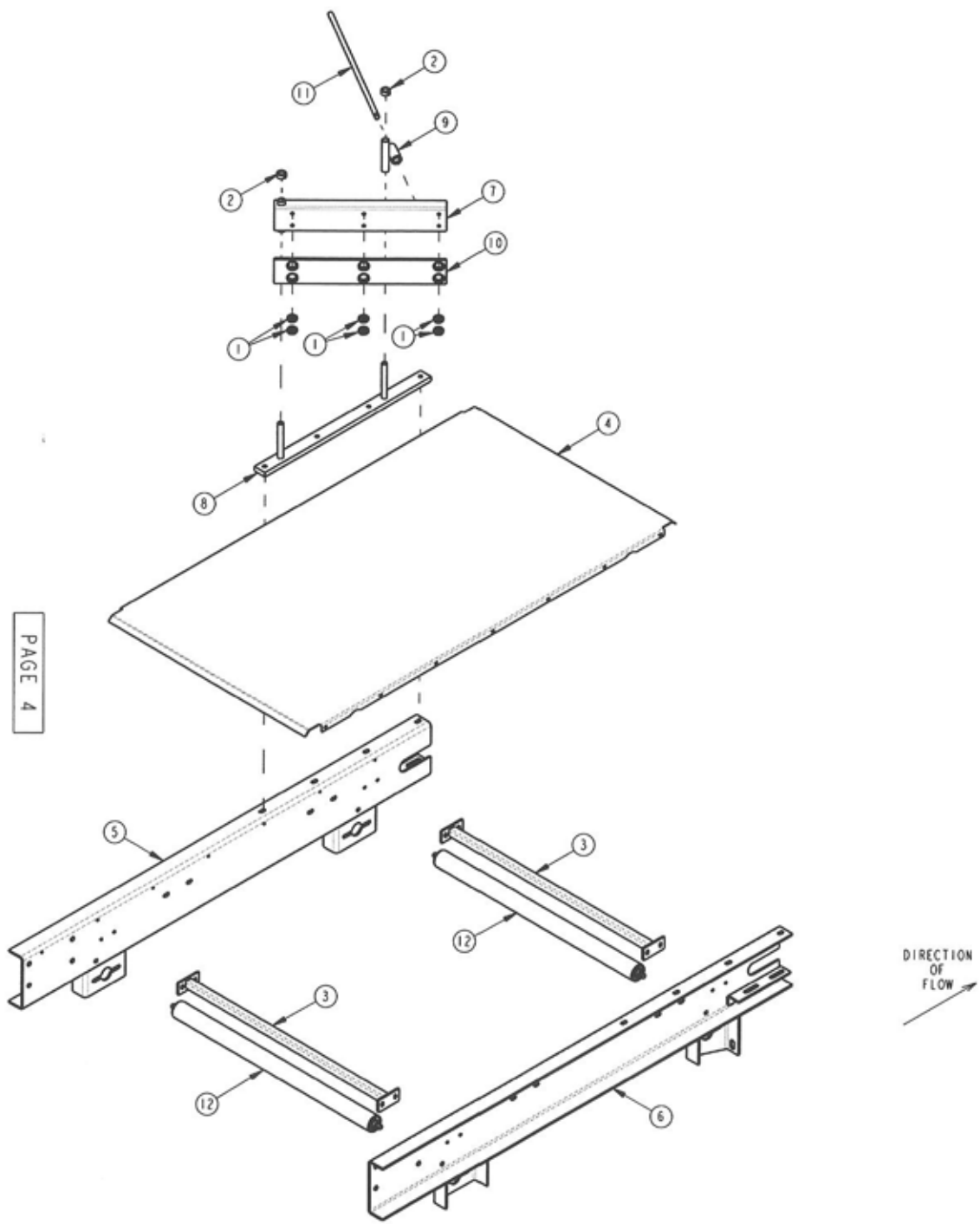
"OPT" found in the "No. Req'd" column denotes "Optional".

PAGE 2



FBTC3607 ASSEMBLY

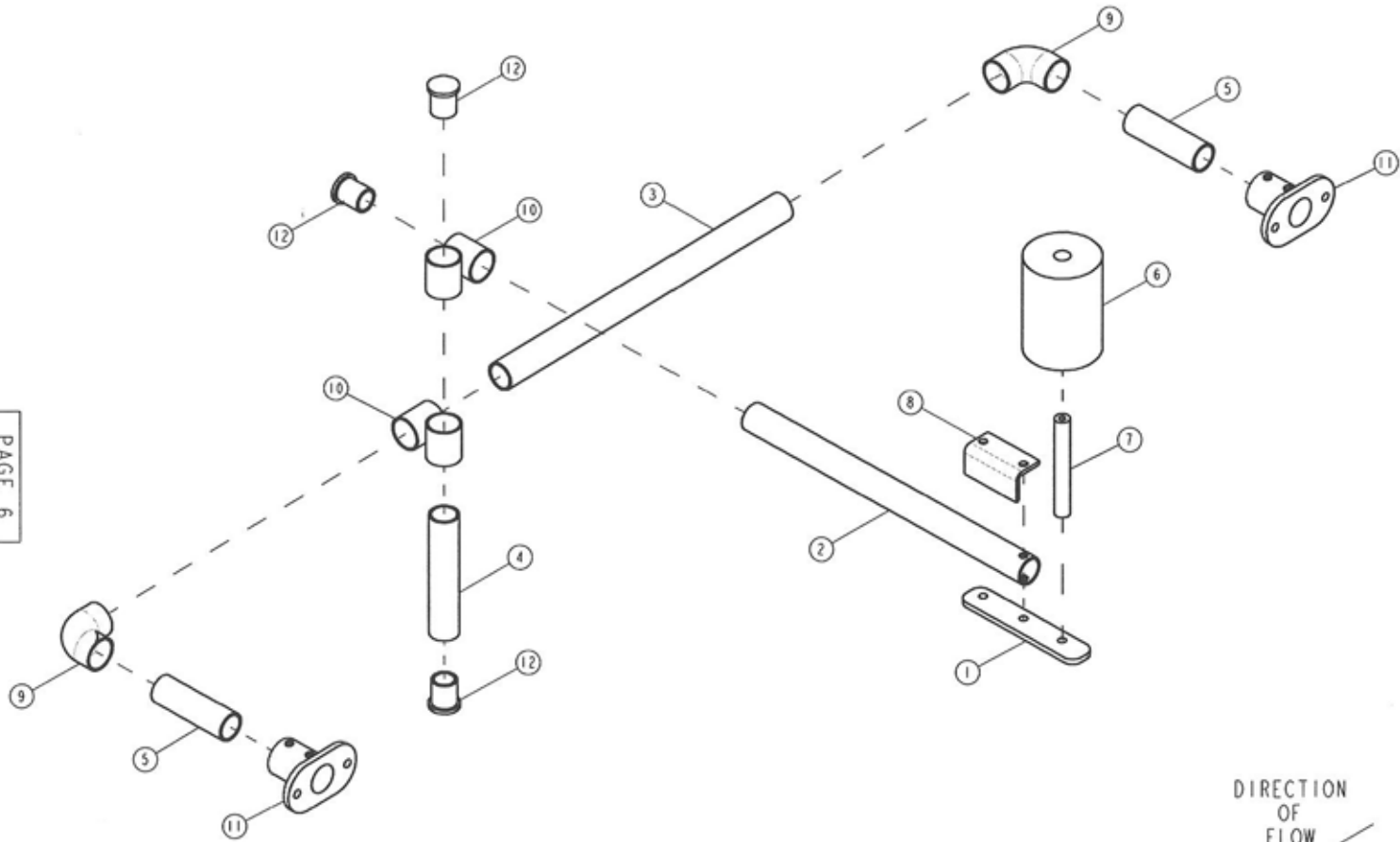
ITEM	PART NUMBER	DESCRIPTION	QTY SHOWN	QTY REQ'D	COMMENTS
1	1774	ROD, ADJUSTING	1		
2	3011	BEARING, 1-7/16 PILLOW BLOCK	4		
3	4961	BELT, CONVEYOR	1		
4	5574	SHEAVE, 1B86SDS (88.6.A8.2)	1		
5	7023	CATCH, HOOK	1		
6	7024	HOOK, SPRING LOADED; 90 DEGREE	1		
7	10812	SHAFT, TAIL; 1-7/16	1		
8	10813	SHAFT, HEAD; 1-7/16	1		
9	11323	BUSHING, 1-7/16 TWIN TAPER	2	1 PAIR	(PART NO. INCLUDES TWO BUSHINGS)
10	11337	GEARBOX, 25:1 SHAFT MOUNTED	1		
11	15158	MOTOR, 1H/3P/460/1800/143T/TEFC	1		
12	51364	BUSHING, OD-SDS 3/4	1		
13	51365	SHEAVE, 1.72-4.65, 1 - 1-1/2HP VAR.	1		
14	51368	IDLER, FLAT; 26FF1-52-008	1		
15	51561	PULLEY, 8" DIA X 38 FACE, LAG	1		
16	51562	PULLEY, 6" DIA X 38 FACE, WING	1		
17	61351	TAKE-UP, TELESCOPER; 6"	2		
18	61437	SLIDE, ADJUSTING	1		
19	61449	BRACKET, ADJUSTING	1		
20	70566	KIT, ROLLER	1		
21	70567	KIT, LEG	1		
22	70569	KIT, CONVEYOR	1		
23	80257	KNOB, CAST IRON, HAND; 1/2-13	1		
24	124511	MOUNT, DRIVE	1		
25	124512	SHIELD, DRIVE	1		
26	124513	MOUNT, TORQUE ARM	1		
27	11337A	ROD, ADJUSTER	1		(INCLUDED WITH GEARBOX)
28	BX47	BELT, BX47	1		



KIT, CONVEYOR

ITEM	PART NUMBER	DESCRIPTION	QTY SHOWN	QTY REQ'D	COMMENTS
1	1573	WASHER, WELD 1.3/8 X 3/8 X 14 GA.	6		
2	3144	COLLAR, 3/4 STEEL	2		
3	93623	CROSSMEMBER 38-15/16, CONVEYOR	2		
4	127189	SHEET, SLIDE	1		
5	127190	SIDE, CONVEYOR; LEFT	1		
6	127191	SIDE, CONVEYOR; RIGHT	1		
7	127445	GUIDE ASSEMBLY	1		
8	127446	MOUNT, GUIDE ASSEMBLY	1		
9	127447	MOUNT, ADJUSTER ASSEMBLY	1		
10	127445E	SLIDE, BAG	1		
11	127447B	ROD, ADJUSTING	1		
12	S93624	ROLLER, TURNING CONVEYOR	2		

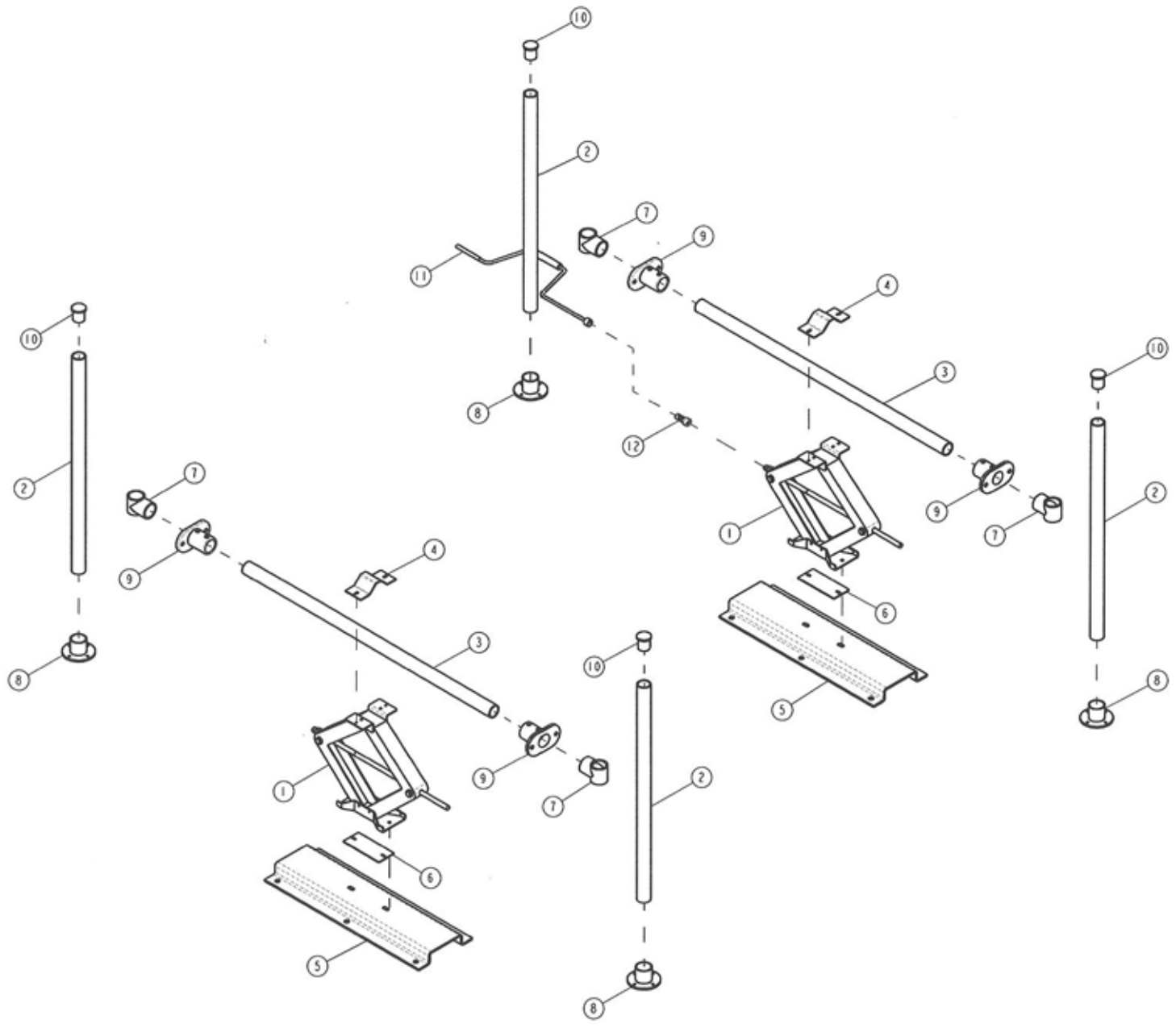
PAGE 6



DIRECTION
OF
FLOW
↙

KIT, ROLLER

ITEM	PART NUMBER	DESCRIPTION	QTY SHOWN	QTY REQ'D	COMMENTS
1	127180	FLAT, ROLLER ATTACHMENT	1		
2	127181	PIPE, ROLLER ARM	1		
3	127182	PIPE, ARM ATTACHMENT	1		
4	127183	PIPE, UPRIGHT	1		
5	127184	PIPE, CROSSMEMBER MNT	2		
6	127185	ROLLER, 7" LONG	1		
7	127186	SHAFT, ROLLER	1		
8	127180B	BRACE, ROLLER	1		
9	5A475	ELBOW, 90DEGREE	2		
10	5A485	CROSSOVER	2		
11	5A491	FLANGE, RAILING BASE	2		
12	5A499	PLUG	3		



KIT, LEG

ITEM	PART NUMBER	DESCRIPTION	QTY SHOWN	QTY REQ'D	COMMENTS
1	80219	JACK, SCISSOR (PAIR); W/HANDLE	2	1 PAIR	(PART NO. INCLUDES A PAIR)
2	93620	PIPE, LEG	4		
3	93621	PIPE, CROSSMEMBER, LEG MNT.	2		
4	127187	SHEET, JACK MOUNT	2		
5	127188	PLATE, JACK MOUNT BOTTOM	2		
6	127740	PLATE, SPACER	2		
7	5A471	TEE, SINGLE SOCKET	4		
8	5A489	FLANGE, BASE	4		
9	5A491	FLANGE, RAILING BASE	4		
10	5A499	PLUG	4		
11	80461A	HANDLE, JACK STAND	1		(INCLUDED WITH JACK)
12	80461B	SOCKET, 3/4" UNIVERSAL	1		

! CAUTION

Do Not Clean Lubricate,
Adjust, or Repair this
Machine While in
Operation.

8119

1

! CAUTION

Do Not Operate unless
all Safety Shields &
Guards are in place.

8188

3

! CAUTION

Do Not Operate this machine until
you have read and understand the
operators manual. If you do not
have a copy of the operators
manual contact your dealer or our
factory Immediately.

Amadas Industries
1100 Holland Rd./Suffolk, VA 23434
757-539-0231
or
1701 S. Slappey Blvd./Albany, GA 31701
229-439-2217

8191

2

! WARNING

- 1) Keep all shields in place while
machinery is in operation.
- 2) Stop engine before leaving
operators position to adjust,
lubricate, clean, unclog, or
otherwise work on the machine
unless specifically recommended
in the operators manual.
- 3) Wait for all motion to stop before
servicing this machine.
- 4) Keep hands, feet, and clothing
away from moving parts.
- 5) Keep off equipment unless seat
or platform for operator is
provided.
- 6) Keep all other persons off
- 7) Make certain everyone is clear
of machinery before engine or
operation.

8548

4

DECALS

ITEM	PART NO.	DESCRIPTION	QTY REQ'D
1	8119	DECAL, WARNING: PINCH POINT	3
2	8188	DECAL, CAUTION: SHIELDS	1
3	8191	DECAL, CAUTION: READ OP. MANUAL	1
4	8548	DECAL, WARNING: 7 SAFETY STEPS	1
USED BUT NOT SHOWN:			
	8397	DECAL, AMADAS; 18" GRAY	1

NUMERICAL PARTS INDEX

PART NO.	PAGE	PART NO.	PAGE	PART NO.	PAGE
1573	5	5A475	7		
1774	3	5A485	7		
3011	3	5A489	9		
3144	5	5A491	7,9		
4961	3	5A499	7,9		
5574	3	80461A	9		
7023	3	80461B	9		
7024	3	BX47	3		
8119	11	S93624	5		
8188	11				
8191	11				
8397	11				
8548	11				
10812	3				
10813	3				
11323	3				
11337	3				
15158	3				
51364	3				
51365	3				
51368	3				
51561	3				
51562	3				
61351	3				
61437	3				
61449	3				
70566	3				
70567	3				
70569	3				
80219	9				
80257	3				
93620	9				
93621	9				
93623	5				
124511	3				
124512	3				
124513	3				
127180	7				
127181	7				
127182	7				
127183	7				
127184	7				
127185	7				
127186	7				
127187	9				
127188	9				
127189	5				
127190	5				
127191	5				
127445	5				
127446	5				
127447	5				
127740	9				
11337A	3				
127180B	7				
127445E	5				
127447B	5				
5A471	9				

WARRANTY

For AMADAS INDUSTRIES Industrial Machinery

A. General Provisions

AMADAS INDUSTRIES ("Company") warrants that each machine manufactured by it and sold under its trademark shall be free from defects in material and workmanship. The company's sole obligation under this warranty shall be limited to making good, F.O.B. Company factory, any part of its product which under normal and proper use and maintenance proves defective in material and workmanship within six months after delivery to the Buyer provided that notice of such defect and satisfactory proof thereof is promptly given by the Buyer to the Company, with transportation charges prepaid, and Company's examination proves such part to have been defective.

This warranty does not apply in respect to damage to any product or accessory or attachment thereof caused by overloading or other misuse, neglect or accident nor does this warranty apply to any product, or accessory or attachment thereof which shall have been repaired or altered by other than the Company which, in the sole judgement of the Company affects the performance, stability or purpose for which it was manufactured.

With respect to tires, engines, or other trade accessories, the Company makes no warranty whatsoever and the buyer shall rely solely upon the existing warranties, if any, of the respective manufacturers thereof.

B. Unapproved Service or Modification

All obligations of AMADAS INDUSTRIES under this warranty are terminated if the machinery is modified or altered in ways not approved by AMADAS INDUSTRIES

C. Owner's Responsibilities

- a. Read the operator's manual before operating the machinery.
- b. Perform all necessary maintenance as described in the operators's manual.
- c. Contact AMADAS INDUSTRIES promptly on any warranty claim.
- d. Sign the AMADAS INDUSTRIES machine delivery form and return promptly as this validates the warranty.

D. Disclaimer

There are no warranties that extend beyond the description here. **ANY WARRANTIES OF MERCHANTABILITY AND FITNESS FOR ANY PARTICULAR PURPOSE ARE SPECIFICALLY DISCLAIMED AS ARE ALL OTHER REPRESENTATIONS TO THE PURCHASER.** AMADAS INDUSTRIES specifically excludes any liability on behalf of the Company for any incidental or consequential damages including, but not limited to loss of profits, rental of substitute equipment, or other commercial losses. AMADAS INDUSTRIES shall not be responsible for expenses or inconvenience that you might incur or experience with respect to any AMADAS INDUSTRIES Industrial Machinery, nor shall AMADAS INDUSTRIES be liable for defects, damage, or failure caused by improper storage, unreasonable use, or abuse, or accident, including the failure to provide reasonable and specified maintenance. This warranty applies only to the original purchaser of the machinery. Because some states do not allow the exclusion of limitation of incidental or consequential damages, the above limitation may not apply to you. This warranty gives you specific legal rights. You may also have other rights, which vary from state to state. Where there is a conflict between a provision of this warranty and the provision of any state, the state legislation prevails.

AMADAS