



**MODEL 272 UPRIGHT BAG CONVEYOR
MODEL 273 BAG KICKER ASSEMBLY
MODEL 274 TRANSFER CONVEYOR**

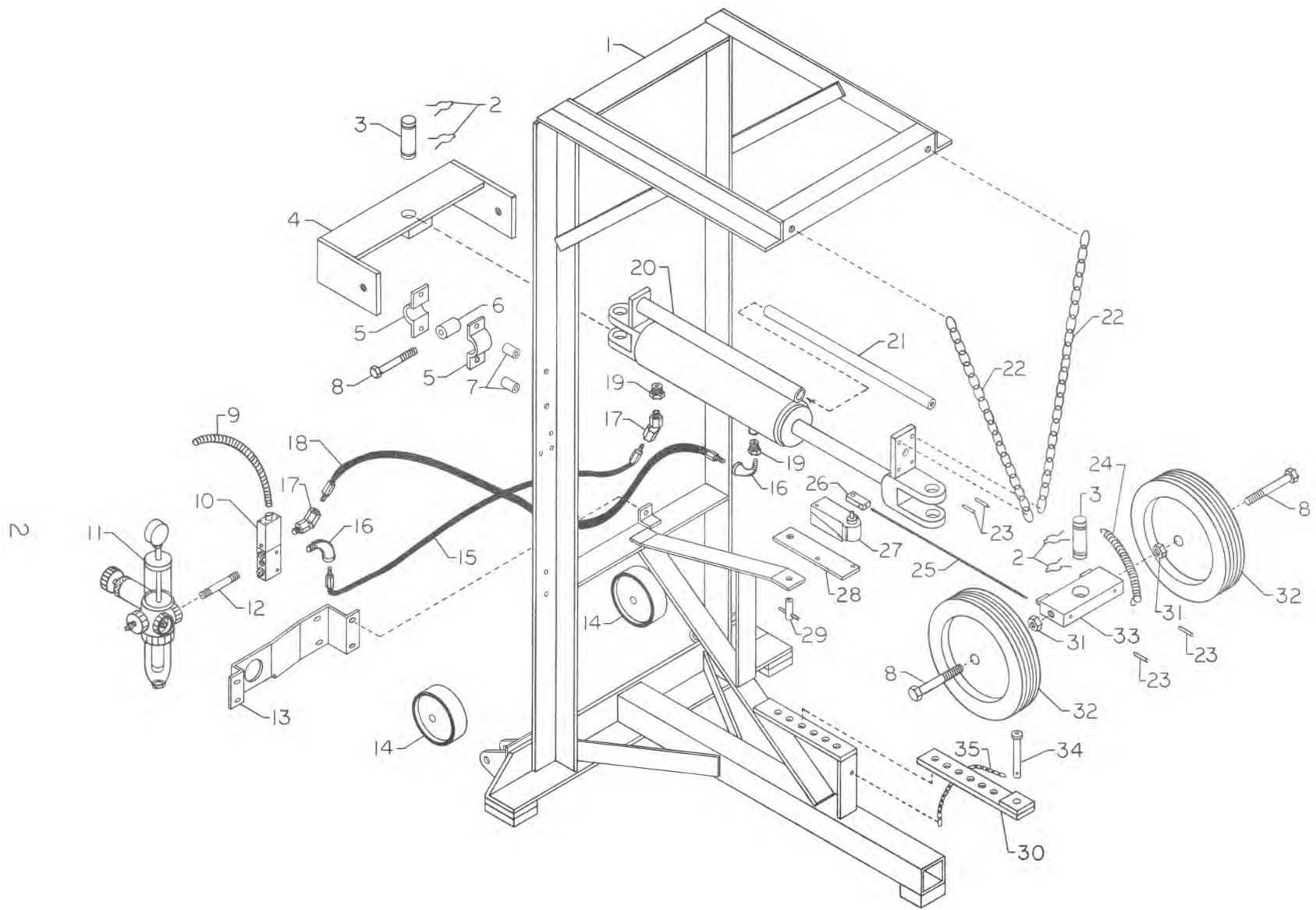
PARTS CATALOG

CONTENTS

	Page
Bag Kicker Assembly -----	3
Transfer Conveyor (5' x 24")-----	5
Upright Bag Conveyor Assembly -----	7
Guide Rail Assembly -----	9
Numerical Parts Index -----	10
Warranty -----	11

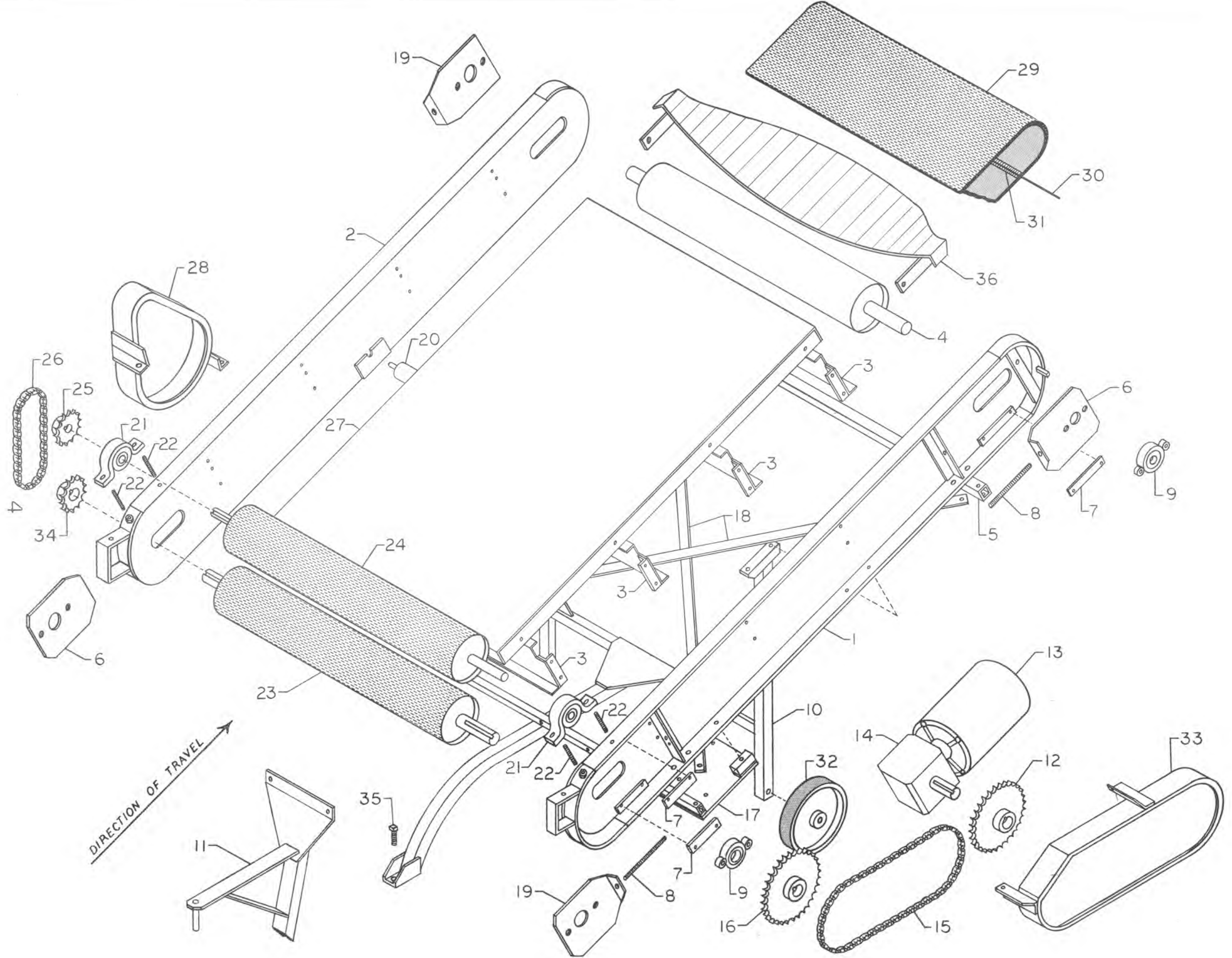
NOTE :

The words "left" and "right" used in the description of parts should be taken as seen facing the direction of travel of material on the machine.



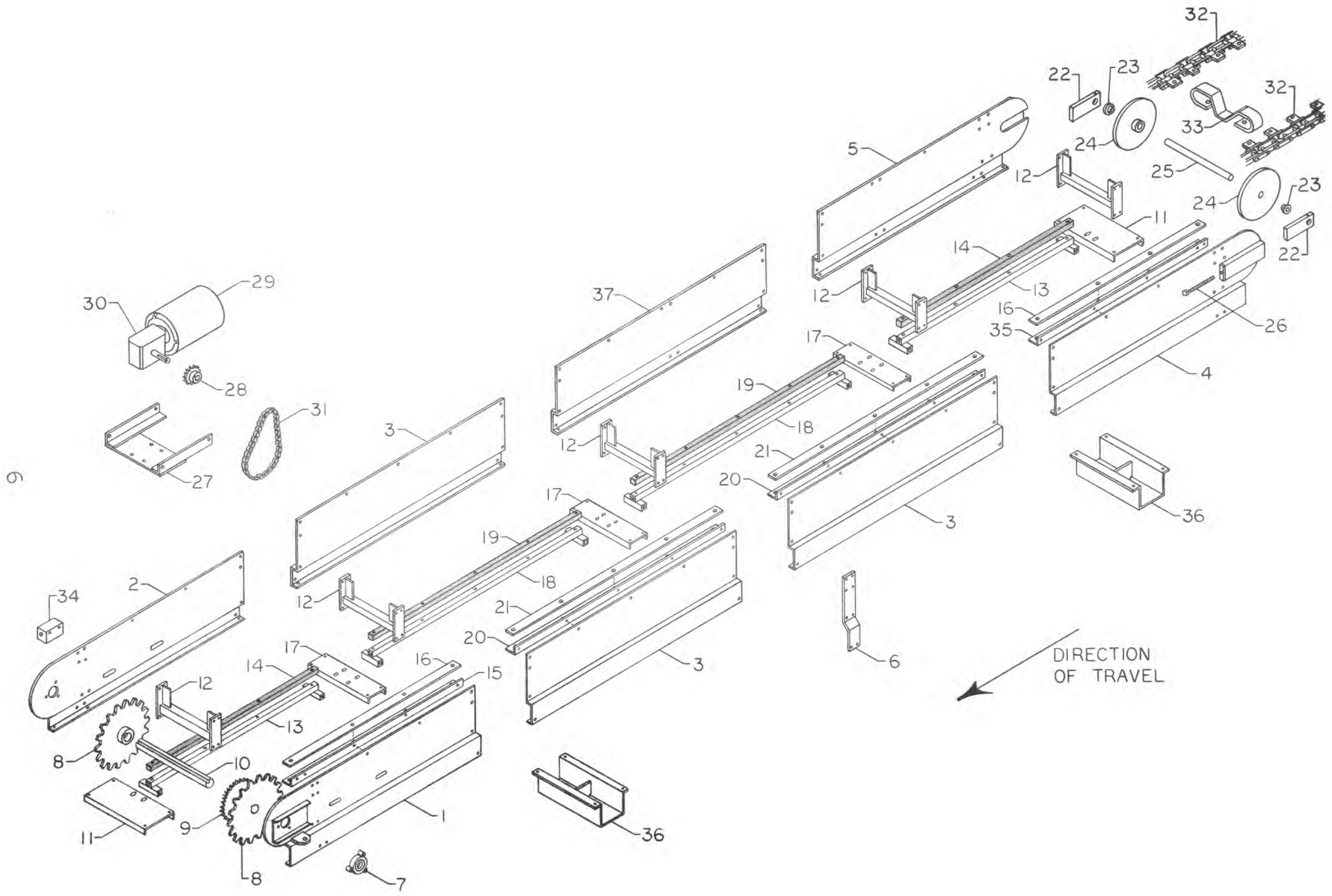
BAG KICKER ASSEMBLY

No.	Part No.	Description	No. Req'd
1	9602	Kicker Stand	1
2	2040	Pin Retaining Clip	4
3	2039	Cylinder Att'g Pin	2
4	6520	Cylinder Mtg. Ass'y	1
5	6247	Grommet Clamp with 5/16" hole	4
6	4044	Rubber Grommet	2
7	2063	Spacer, 3/4" long with 5/16" hole	4
8	--	Cap Screw, 3 x 1/2-13	4
9	4234	Flexible Conduit, 9-1/2 x 3/8	1
10	15063	Single 4 Way Solenoid Valve	1
11	14010	B100-A Regulator Filter Lubricator	1
12	2097	Nipple, 1/4 x 3	1
13	120012	Regulator and Valve Mount	1
14	8043	3-1/2" Rigid Caster Wheel	2
15	14003	Hydraulic Hose, 1/4" x 30"	1
16	2098	Street Elbow, 1/4 x 90°	2
17	2047	Swivel Coupling, 1/4 x 45°	2
18	14002	Hydraulic Hose, 1/4" x 24"	1
19	2048	3/8 to 1/4 Reducer	2
20	14009	2" Pneumatic Cylinder with 8" Stroke	1
21	10124	Guide Shaft	1
22	4235	3/16" Att'g Chain, 20 Links	2
23	2099	Expansion Pin, 1 x 3/16	4
24	7020	Spring	1
25	1038	Tripper Pin	1
26	6524	Limit Switch Attachment	1
27	15062	B54-B2 Limit Switch	1
28	6522	Limit Switch Mount	1
29	2083	Lock Handle	1
30	6521	Conveyor Att'g Flat	1
31	--	Nut, 1/2 - 13	2
32	8032	Wheel, 1.75 x 8	2
33	6523	Wheel Mount	1
34	2096	Connecting Pin	1
35	4194	Att'g Chain, 8 Links	1



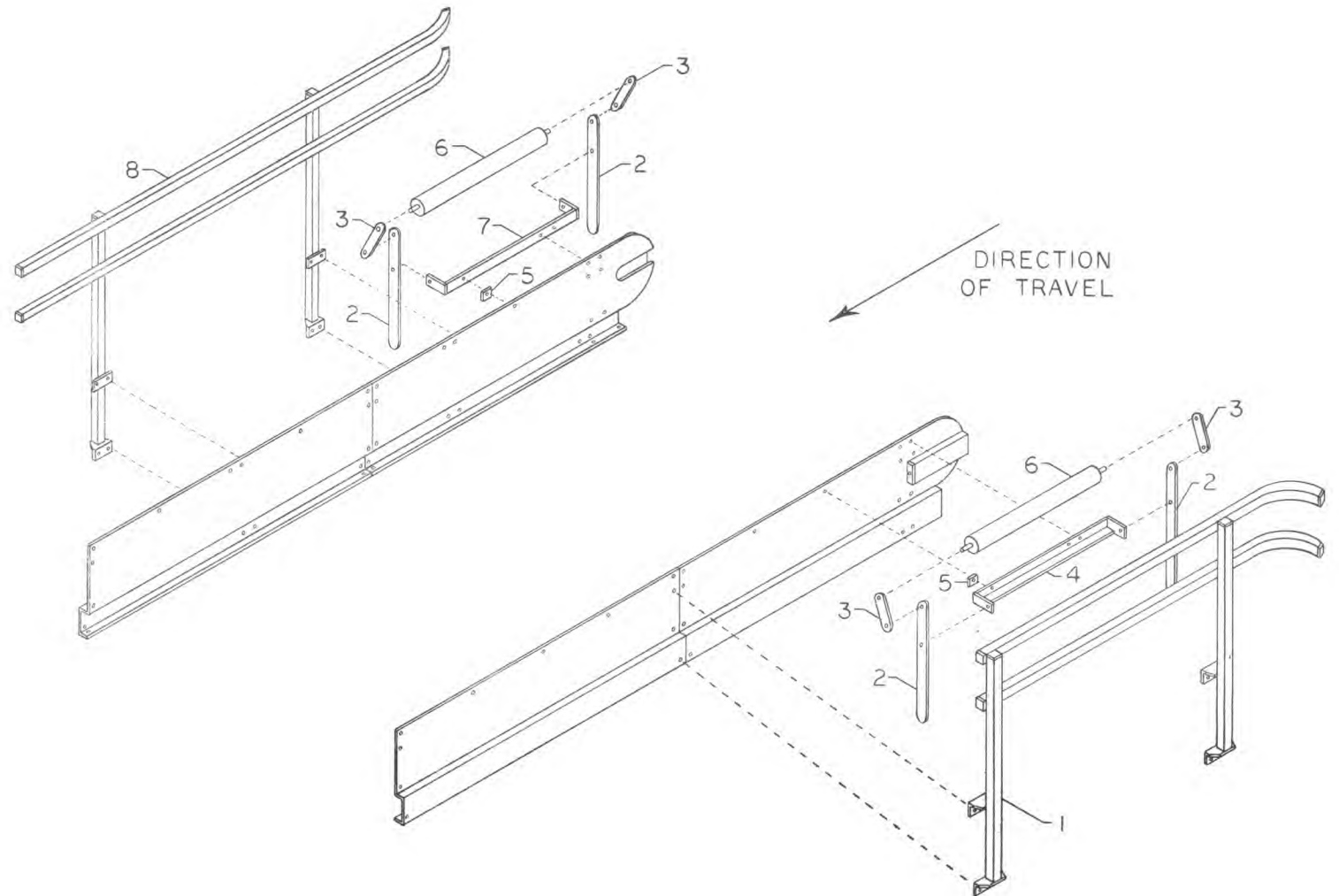
TRANSFER CONVEYOR (5' x 24")

No.	Part No.	Description	No. Req'd
1	120013	Right Side	1
2	120014	Left Side	1
3	120015	Center Reinforcements	4
4	5367	Front Roller	1
5	9603	Front End Brace	1
6	120016	Roller Adjusting Plate, Rear Left & Front Right	2
7	6525	Attaching Flat	6
8	1039	Adjusting Rod	4
9	3055	2 Hole Flange Bearing with 1-3/16" diameter	4
10	9604	Inclining Stand	1
11	9605	Hitch Ass'y (weld to inclining stand after bolting to #17)	1
12	5132	40B30 Sprocket with 7/8" bore	1
13	--	1/2 HP motor	1
14	11018	50-1 Reduction Gear Box	1
15	4042	No. 40 Chain (sold by the ft.)	as req'd
--	4042A	Connecting Link	as req'd
--	4042B	Offset Link	as req'd
16	5127	40B21 Sprocket with 1-3/16" bore	1
17	9606	Gearbox Mtg. Ass'y	1
18	9607	Diagonal Brace	2
19	120017	Roller Adjusting Plate, Rear Right & Front Left	2
20	5362	Idler Roller	1
21	3008	1" Pillow Block Bearing	2
22	1024	Adjusting Rod 3/8-16 x 3" long	4
23	5368	Bottom Drive Roller	1
24	5369	Bag Transfer Roller	1
25	5126	40B14 Sprocket with 1" bore	1
26	4042	No. 40 Chain (sold by the ft.)	as req'd
--	4042A	Connecting Link	as req'd
--	4042B	Offset Link	as req'd
27	120018	Wear Plate	1
28	120019	Left Side Chain shield	1
29	4237	24" Belting (9'7" long)	1
30	4118	No. 15 Lacing Pin	1
31	4062	No. 15 Lacing with pin	1
32	8042	6" Swivel Caster Wheel, only	2
33	120020	Right Side Chain Shield	1
34	5107	40B14 Sprocket with 1-3/16" bore	1
35	--	Setscrew, 1-1/2 x 1/2-13	1
36	120043	Bag Guide Lip	1



UPRIGHT BAG CONVEYOR ASSEMBLY

No.	Part No.	Description	No. Req'd
1	120021	Left Front Side	1
2	120022	Right Front Side	1
3	120023	4' Center Side	3
4	120024	Left Rear Side	1
5	120025	Right Rear Side	1
6	6526	Joint Attaching Flat	10
7	3018	1-3/16" 3 Hole Flange Bearing	2
8	5160	18T55C Sprocket with 1-3/16" bore	2
9	5137	50B32 Sprocket with 1-3/16" bore	1
10	10125	Front Drive Shaft	1
11	120026	Front & Rear Cross Plate	2
12	9608	Side Stiffeners	5
13	9609	Front & Rear Flight Return Track	2
14	6527	Front & Rear Flight Guide	2
15	6528	Left Front & Right Chain Guide	2
16	6529	Front & Rear Chain Wear Board	4
17	120027	Joint Attaching Cross Plate	3
18	9610	Center Flight Return Track	2
19	6530	Center Flight Guide	2
20	6531	Center Chain Guide	4
21	6532	Center Chain Wear Board	4
22	6345	Chain Adjuster	2
23	3028	1" Bearing with collar	2
24	5370	8-3/4" Chain Idler with retaining ring & bearing	2
--	5371	8-3/4" Chain Idler	as req'd
--	3028	1" Bearing with collar	as req'd
--	7016	Retaining Ring	as req'd
25	10126	Idler Shaft	1
26	1037	1/2-13 x 4" Long Square Head Setscrew	2
27	6533	Motor & Gearbox Mount	1
28	5161	50B16 Sprocket with 7/8" bore	1
29	--	1/2 HP Motor	1
30	11018	50-1 Reduction Gearbox	1
31	4262	No. 50 Chain (sold by the ft.)	as req'd
--	4262A	Connecting Link	as req'd
--	4262B	Offset Link	as req'd
32	4239	Chain, Attachment every pitch; with 122 attachments (244 pitches)	2
33	6534	Bag Carrying Flight	122
34	15064	Waterproof Junction Box	1
--	15064A	Cover	1
35	6535	Left Rear & Right Front Chain Guide	2
36	120044	Conveyor Floor Supports	2
37	120045	Right Rear Rail Mtg. Side	1



GUIDE RAIL ASSEMBLY

No.	Part No.	Description	No. Req'd
1	9619	Left Rear Guide Rail (use this rail when 872 bagger is positioned at left rear side of 272 conveyor)	1
-	9634	Left Rear Guide Rail (use this rail when 872 bagger is positioned at right rear side of 272 conveyor)	1
2	6541	Long Extension Arm	4
3	6542	Roller Mtg. Flat	4
4	6543	Left Rear Extension Arm Mtg. Ass'y	1
5	2101	Spacer	2
6	5362	Bag Guide Roller	2
7	6544	Right Rear Extension Arm Mtg. Ass'y	1
8	9620	Right Rear Guide Rail (use this rail when 872 bagger is positioned at left rear side of 272 conveyor)	1
-	9635	Right Rear Guide Rail (use this rail when 872 bagger is positioned at right rear side of 272 conveyor)	1

GUIDE RAIL ASSEMBLY

No.	Part No.	Description	No. Req'd
1	9619	Left Rear Guide Rail (use this rail when 872 bagger is positioned at left rear side of 272 conveyor)	1
-	9634	Left Rear Guide Rail (use this rail when 872 bagger is positioned at right rear side of 272 conveyor)	1
2	6541	Long Extension Arm	4
3	6542	Roller Mtg. Flat	4
4	6543	Left Rear Extension Arm Mtg. Ass'y	1
5	2101	Spacer	2
6	5362	Bag Guide Roller	2
7	6544	Right Rear Extension Arm Mtg. Ass'y	1
8	9620	Right Rear Guide Rail (use this rail when 872 bagger is positioned at left rear side of 272 conveyor)	1
-	9635	Right Rear Guide Rail (use this rail when 872 bagger is positioned at right rear side of 272 conveyor)	1