

TABLE OF CONTENTS

1st EDITION

DECEMBER 1, 1985

248-24 SINGLE CHAIN CONVEYOR

SECTION	PAGE
1. SHIELDS AND PANELS SECTION -----	3,4,5
2. DRIVE SECTION -----	7
NUMERICAL PARTS INDEX -----	8

NOTE

THE TERMS "LEFT" AND "RIGHT" USED IN THE DESCRIPTION OF PARTS ARE DETERMINED BY FACING THE DIRECTION OF TRAVEL OF MATERIAL THROUGH THE MACHINE.

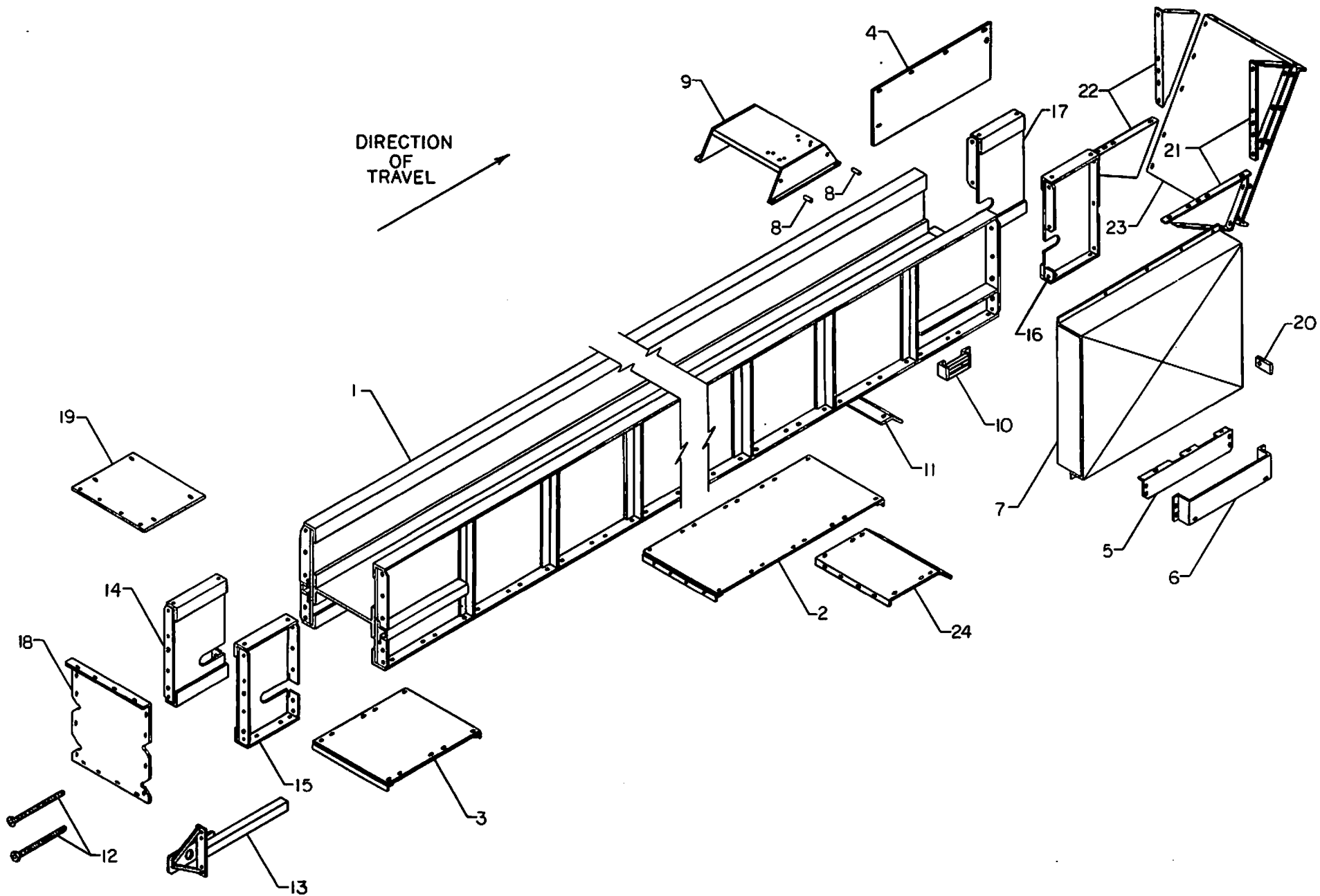
Owners Name _____
Address _____
Model No. _____ · Serial No. _____ · Date Purchased _____



1100 Holland Road Suffolk, Va. 23434 U.S.A. · 804-539-0231

Home Office: TELX · 494-6083 Cable · HOADEN SUFK
Branch Office

1701 S. Slappey Blvd. Albany, Ga. 31706 · 912-439-2217



1. SHIELDS & PANELS SECTION

NO.	PART NO.	KEYWORD	DESCRIPTION	NO.	REQ'D
1	90386-10	FRAME	24" CONVEYOR 10' MAIN	1	
--	90386-11	FRAME	24" CONVEYOR 10' MAIN	1	
--	90386-12	FRAME	24" CONVEYOR 12' MAIN	1	
--	90386-13	FRAME	24" CONVEYOR 13' MAIN	1	
--	90386-14	FRAME	24" CONVEYOR 14' MAIN	1	
--	90386-15	FRAME	24" CONVEYOR 15' MAIN	1	
--	90386-16	FRAME	24" CONVEYOR 16' MAIN	1	
--	90386-17	FRAME	24" CONVEYOR 17' MAIN	1	
--	90386-18	FRAME	24" CONVEYOR 18' MAIN	1	
--	90386-19	FRAME	24" CONVEYOR 19' MAIN	1	
--	90386-20	FRAME	24" CONVEYOR 20' MAIN	1	
--	90386-21	FRAME	24" CONVEYOR 21' MAIN	1	
--	90386-22	FRAME	24" CONVEYOR 22' MAIN	1	
--	90386-23	FRAME	24" CONVEYOR 23' MAIN	1	
--	90386-24	FRAME	24" CONVEYOR 24' MAIN	1	
--	90386-25	FRAME	24" CONVEYOR 25' MAIN	1	
--	90386-26	FRAME	24" CONVEYOR 26' MAIN	1	
--	90386-27	FRAME	24" CONVEYOR 27' MAIN	1	
--	90386-28	FRAME	24" CONVEYOR 28' MAIN	1	
--	90386-29	FRAME	24" CONVEYOR 29' MAIN	1	
--	90386-30	FRAME	24" CONVEYOR 30' MAIN	1	
--	90386-31	FRAME	24" CONVEYOR 31' MAIN	1	
--	90386-32	FRAME	24" CONVEYOR 32' MAIN	1	
--	90386-33	FRAME	24" CONVEYOR 33' MAIN	1	
--	90386-34	FRAME	24" CONVEYOR 34' MAIN	1	
--	90386-35	FRAME	24" CONVEYOR 35' MAIN	1	
--	90386-36	FRAME	24" CONVEYOR 36' MAIN	1	
--	90386-37	FRAME	24" CONVEYOR 37' MAIN	1	

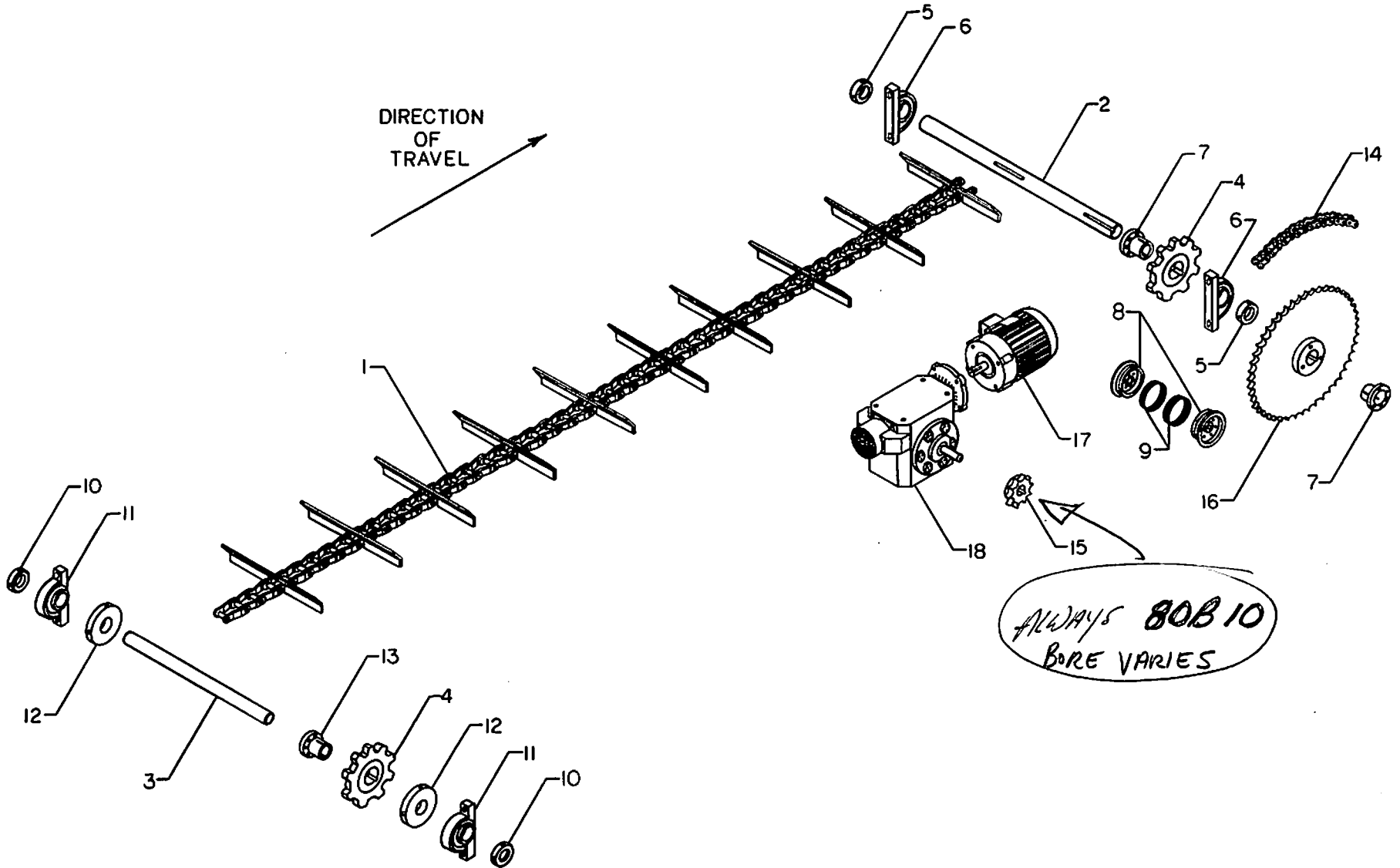
1. SHIELDS & PANELS SECTION

NO.	PART NO.	KEYWORD	DESCRIPTION	NO. REQ'D
--	90386-38	FRAME	24" CONVEYOR 38' MAIN	1
--	90386-39	FRAME	24" CONVEYOR 39' MAIN	1
--	90386-40	FRAME	24" CONVEYOR 40' MAIN	1
--	90386-41	FRAME	24" CONVEYOR 41' MAIN	1
--	90386-42	FRAME	24" CONVEYOR 42' MAIN	1
--	90386-43	FRAME	24" CONVEYOR 43' MAIN	1
--	90386-44	FRAME	24" CONVEYOR 44' MAIN	1
--	90386-45	FRAME	24" CONVEYOR 45' MAIN	1
--	90386-46	FRAME	24" CONVEYOR 46' MAIN	1
--	90386-47	FRAME	24" CONVEYOR 47' MAIN	1
--	90386-48	FRAME	24" CONVEYOR 48' MAIN	1
--	90386-49	FRAME	24" CONVEYOR 49' MAIN	1
--	90386-50	FRAME	24" CONVEYOR 50' MAIN	1
2	90383	PANEL	24"CONVEYOR BOTTOM 47-7/8	A/R
3	90384	PANEL	24"CONVEYOR BOTTOM 38-7/8	OPT
--	90399	PANEL	24"CONVEYOR BOTTOM 14-7/8	OPT
--	90400	PANEL	24"CONVEYOR BOTTOM 26-7/8	OPT
--	90401	PANEL	24"CONVEYOR BOTTOM 50-7/8	OPT
4	121752	PLATE	SHIELD; UPPER RIGHT	OPT
--	121776	PLATE	SHIELD; UPPER LEFT	OPT
5	121753	PLATE	LOWER 80Q70	OPT
6	121751	SHIELD	LOWER 80Q70	OPT
7	121750	SHIELD	CONVEYOR DRIVE	1
8	60437	SPACER	SHEILD	2
9	12994	MOUNT	MOTOR ASSY	1
10	6268	BRACKET	CONVEYOR IDLER	1
11	90382	PLATE	RETURN SLIDE	1
12	60441	ROD	INFEED IDLER ADJUSTER	4

1. SHIELDS & PANELS SECTION

NO.	PART NO.	KEYWORD	DESCRIPTION	NO. REQ'D
13	60442	BRACKET	INFEED ADJUSTING IDLER	2
14	90389	PANEL	EXTENSION INFEED(LEFT)	1
15	90390	PANEL	EXTENSION INFEED(RIGHT)	1
16	90391	PANEL	DISCHARGE(RIGHT)	1
17	90392	PANEL	DISCHARGE(LEFT)	1
18	90385	PANEL	INFEED END	1
19	90452	PANEL	INFEED TOP (24")	1
20	90455	BRACE	SHIELD ATTACHING	1
--	7861	KIT	24"HOPPER	OPT
21	121797	PANEL	DISCHARGE HOPPER; RIGHT	2
22	121796	PANEL	DISCHARGE HOPPER; LEFT	2
23	121798	PANEL	24" HOPPER END	1
24	121799	PANEL	24" HOPPER BOTTOM (REPLACES ITEM 11 WHEN HOPPER IS USED)	1

DIRECTION OF TRAVEL
→



ALWAYS 80B 10
BORE VARIES

2. DRIVE SECTION

NO.	PART NO.	KEYWORD	DESCRIPTION	NO. REQ'D
1	4468	CHAIN	FEEDER FLIGHT, 24" CONVEYOR	A/R
2	10272	SHAFT	DISCHARGE IDLER	1
3	10271	SHAFT	INFEED IDLER	1
4	5687	GEAR	FEEDER DRIVE	2
5	3087	COLLAR	2-3/16 ECCENTRIC LOCKING	2
6	3111	BEARING	2-3/16 PILLOW BLOCK	2
--	3086	INSERT	2-3/16 REPLACEMENT BEARING	A/R
7	5691	BUSHING	Q1 - 2-3/16	2
8	5218	IDLER	4" BELT, ONE OPEN SIDE, 1" FLANGE	2
9	5204	TIRE	CHAIN IDLER	2
10	3090	COLLAR	1-15/16 ECCENTRIC LOCKING	2
11	3119	BEARING	1-15/16" PILLOW BLOCK	2
--	3089	INSERT	1-15/16 REPLACEMENT BEARING	A/R
12	5696	SUPPORT	FLIGHT 5-1/20DX1-15/16ID	2
13	5690	BUSHING	Q1 - 1-15/16	1
14	4365	CHAIN	NO.80 ROLLER,12/LNKS P/FT	A/R
15	5705	SPROCKET	80B12 F 1-3/8 BORE	OPT
--	5709	SPROCKET	80B10 BLANK BORED1-3/8	OPT
16	5697	SPROCKET	80Q60	OPT
--	5704	SPROCKET	80Q70	OPT
--	5710	SPROCKET	80Q48	OPT
17	15159	MOTOR	1HP TEFC143T CFACE1750 3P	OPT
--	15161	MOTOR	2HP TEFC145T CFACE1750 3P	OPT
--	15163	MOTOR	3HP TEFC182T CFACE1750 3P	OPT
18	11062	GEARBOX	50:1, 2HP C-FACE REDUCING	OPT
--	11063	GEARBOX	30:1, 1HP C-FACE REDUCING	OPT
--	11064	GEARBOX	30:1, 2HP C-FACE REDUCING	OPT
--	11092	GEARBOX	30:1, 3HP OR 5HP C-FACE REDUCING	OPT

NUMERICAL PARTS INDEX

PART NO.	PAGE	PART NO.	PAGE	PART NO.	PAGE
10271	7	90386-19	3		
10272	7	90386-20	3		
11062	7	90386-21	3		
11063	7	90386-22	3		
11064	7	90386-23	3		
11092	7	90386-24	3		
121750	4	90386-25	3		
121751	4	90386-26	3		
121752	4	90386-27	3		
121753	4	90386-28	3		
121776	4	90386-29	3		
121796	5	90386-30	3		
121797	5	90386-31	3		
121798	5	90386-32	3		
121799	5	90386-33	3		
12994	4	90386-34	3		
15159	7	90386-35	3		
15161	7	90386-36	3		
15163	7	90386-37	3		
3086	7	90386-38	4		
3087	7	90386-39	4		
3089	7	90386-40	4		
3090	7	90386-41	4		
3111	7	90386-42	4		
3119	7	90386-43	4		
4365	7	90386-44	4		
4468	7	90386-45	4		
5204	7	90386-46	4		
5218	7	90386-47	4		
5687	7	90386-48	4		
5690	7	90386-49	4		
5691	7	90386-50	4		
5696	7	90389	5		
5697	7	90390	5		
5704	7	90391	5		
5705	7	90392	5		
5709	7	90399	4		
5710	7	90400	4		
60437	4	90401	4		
60441	4	90452	5		
60442	5	90455	5		
6268	4				
7861	5				
90382	4				
90383	4				
90384	4				
90385	5				
90386-10	3				
90386-11	3				
90386-12	3				
90386-13	3				
90386-14	3				
90386-15	3				
90386-16	3				
90386-17	3				
90386-18	3				